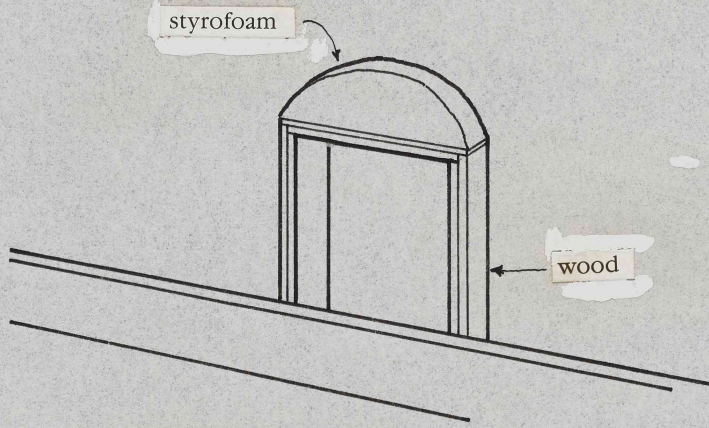
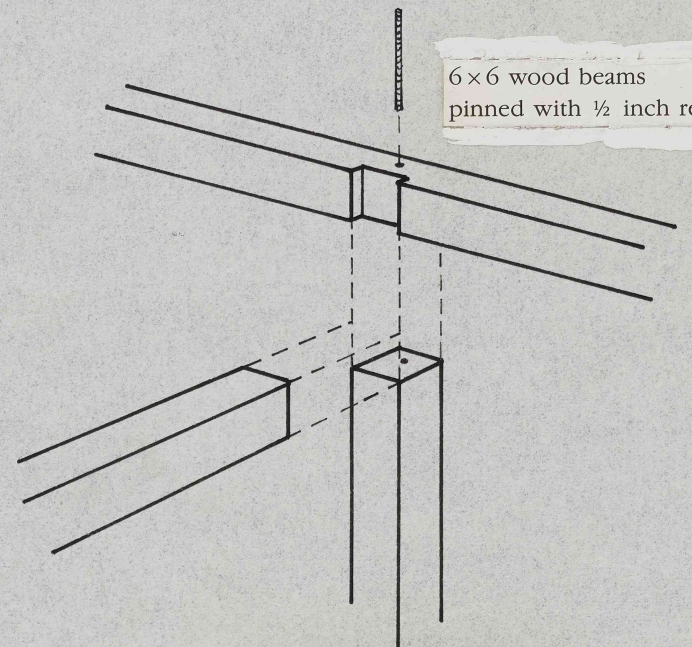


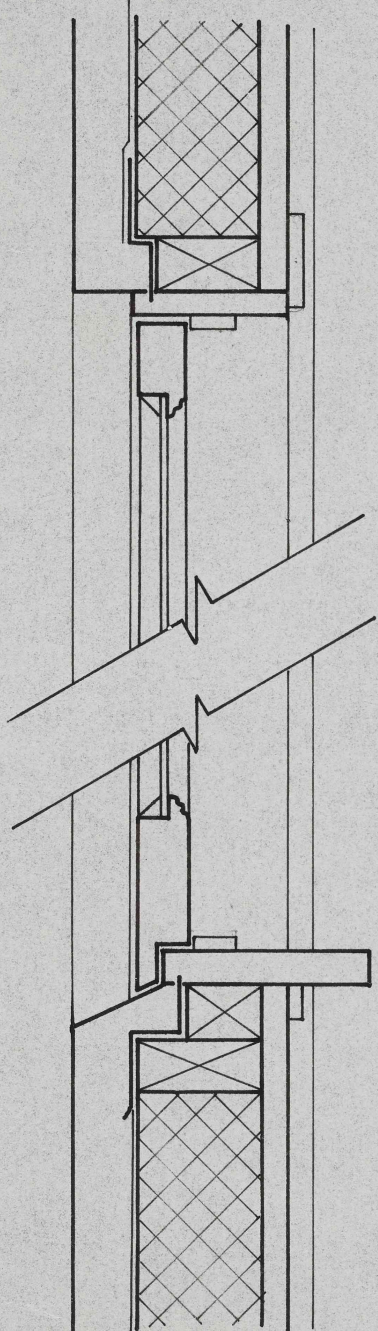
CORBEL cut from 6x6 fir



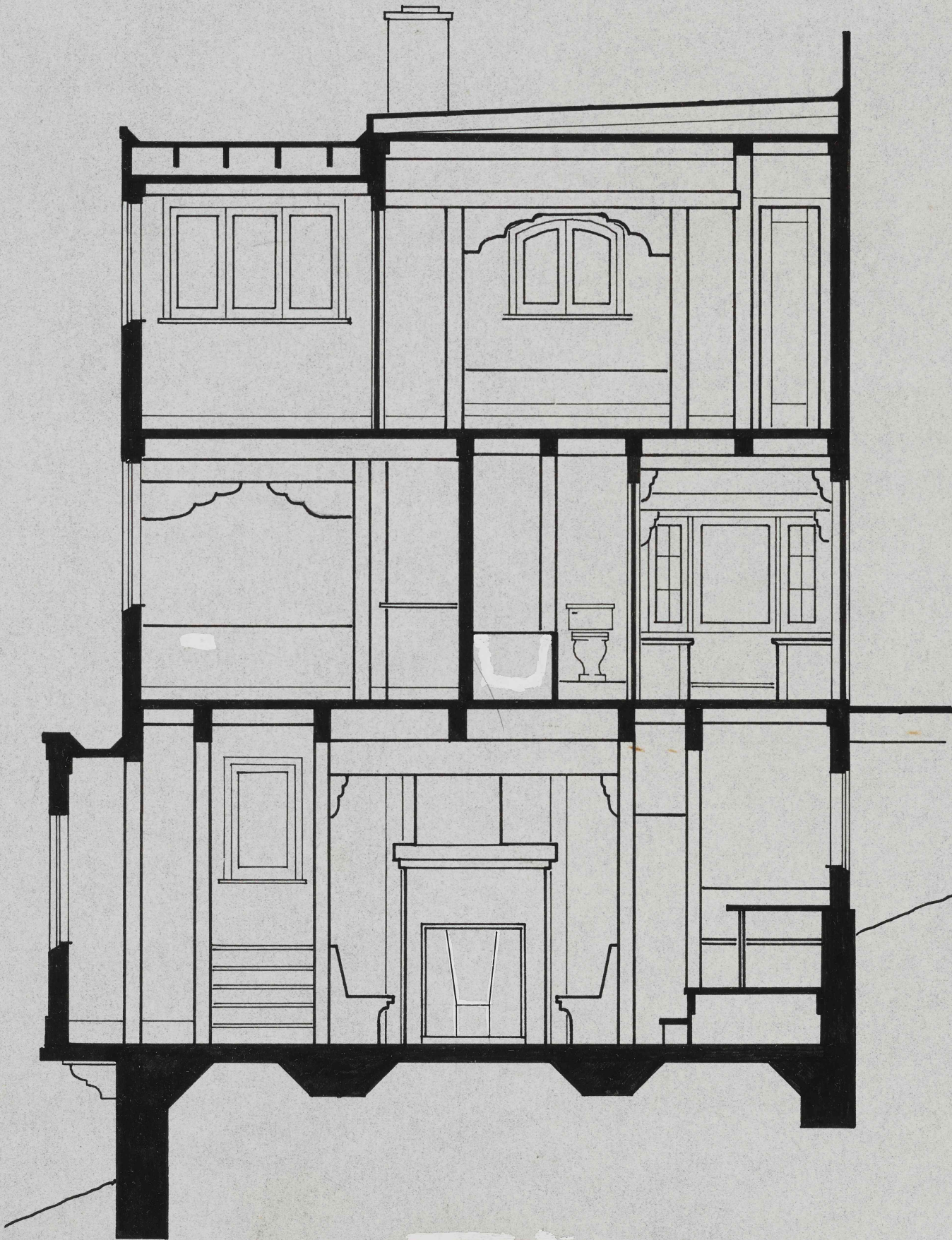
BEDROOM WINDOW FORM



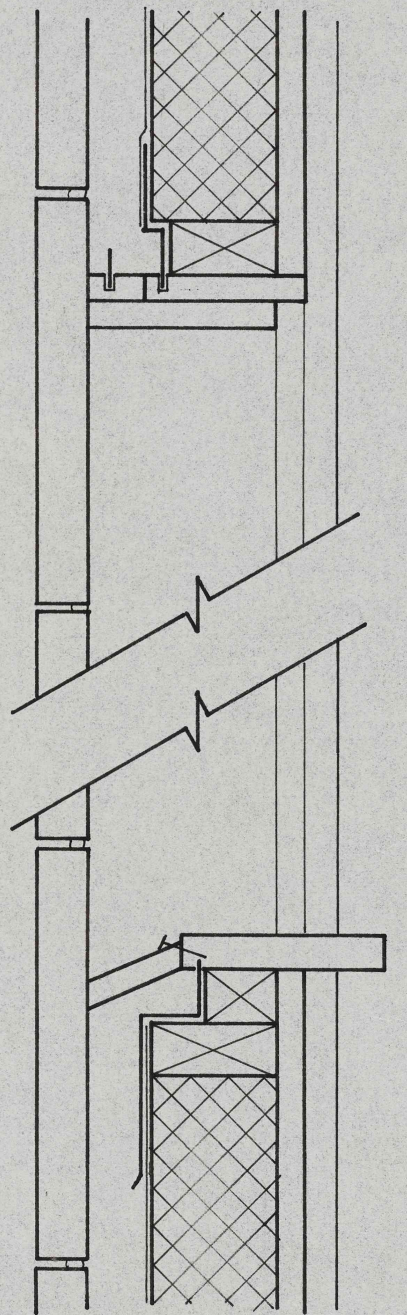
FRAMING CONNECTION



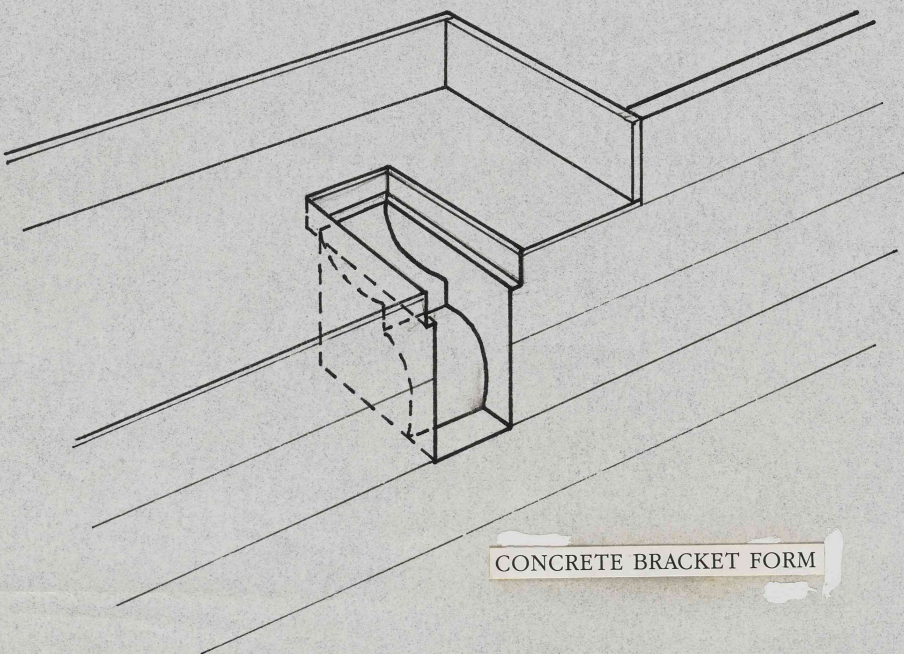
WINDOW SECTION



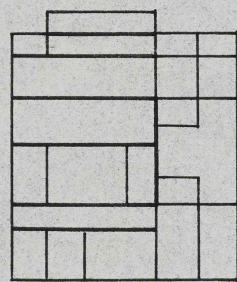
SECTION



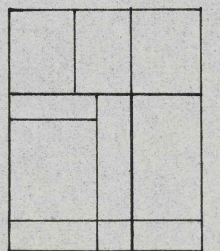
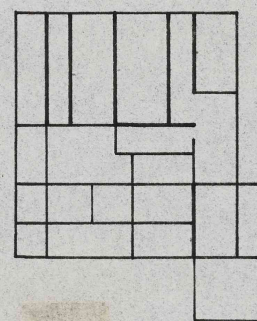
WINDOW FORMS



CONCRETE BRACKET FORM



first



FRAMING PLANS