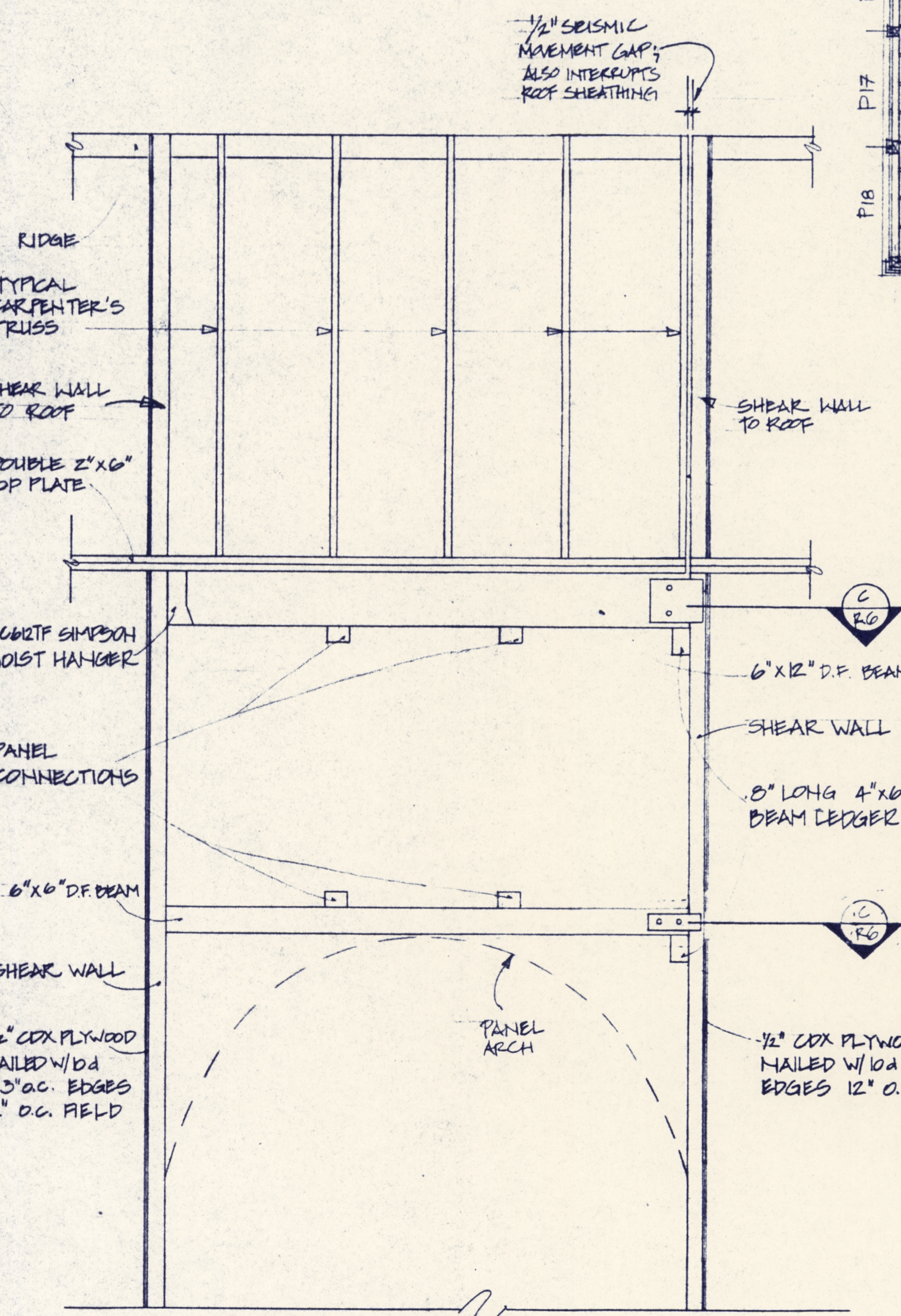
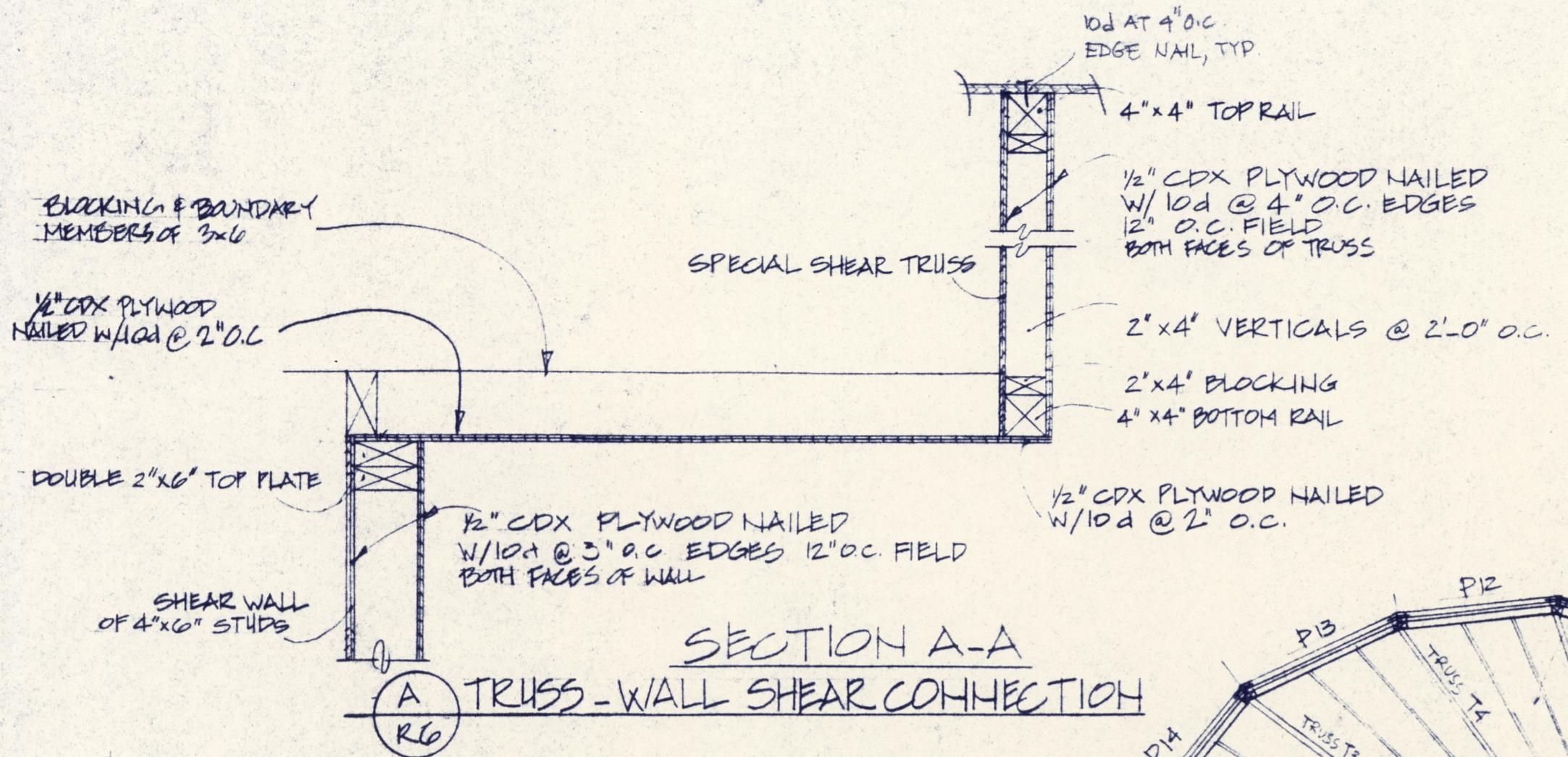
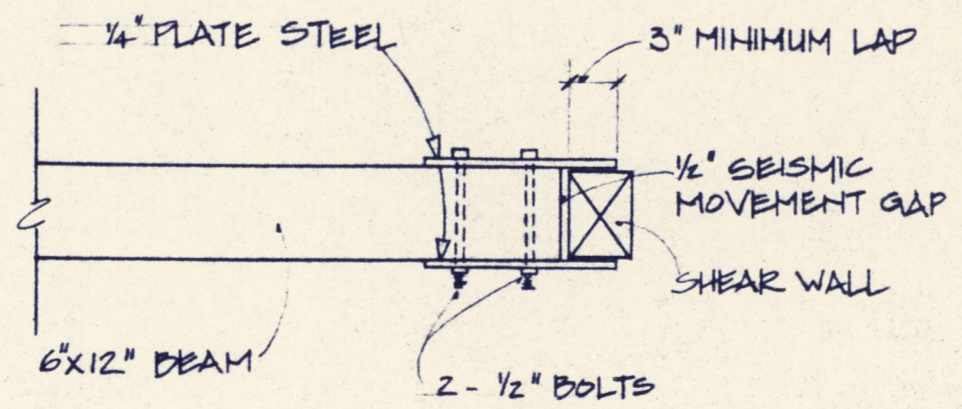


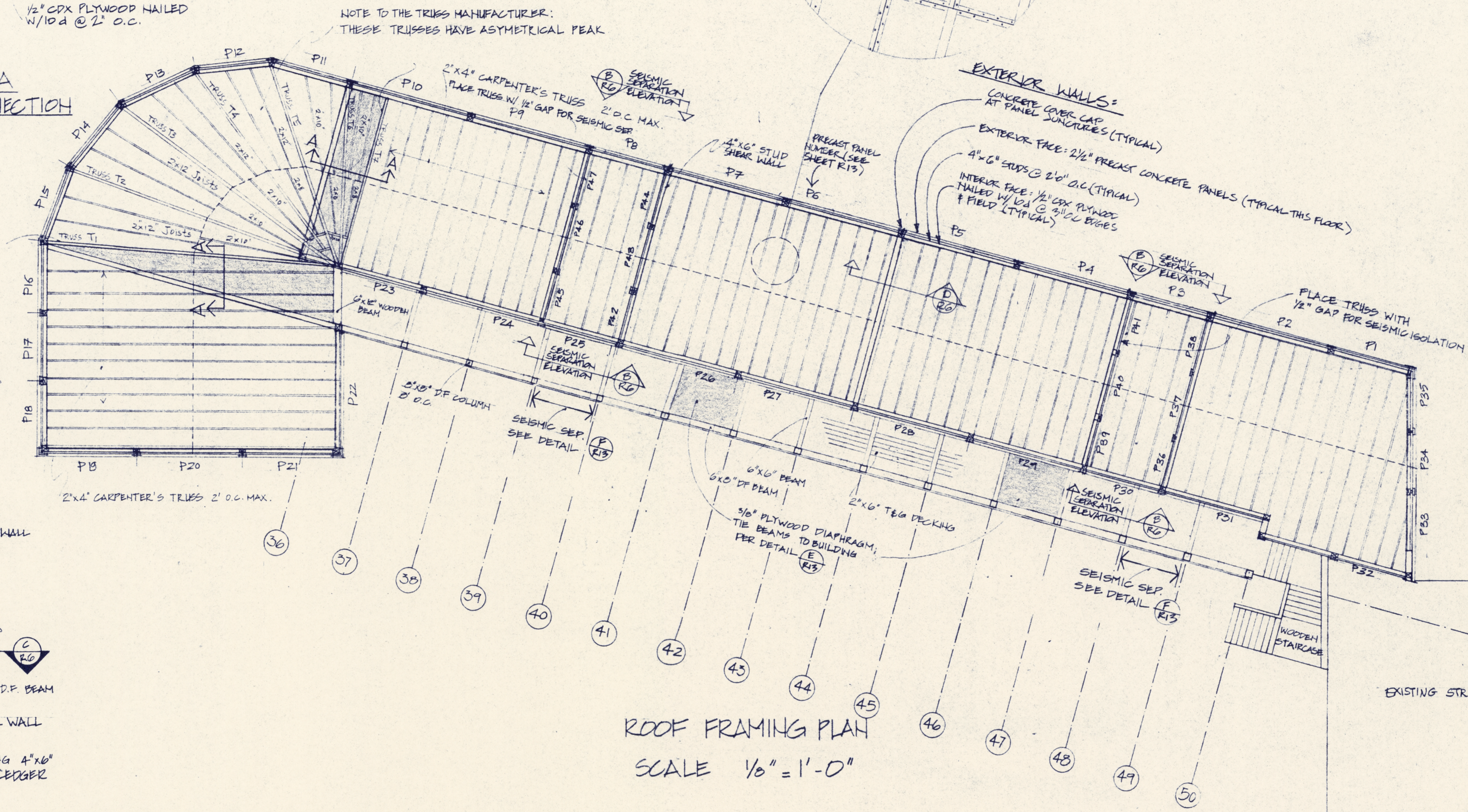
# RESIDENTIAL BUILDING



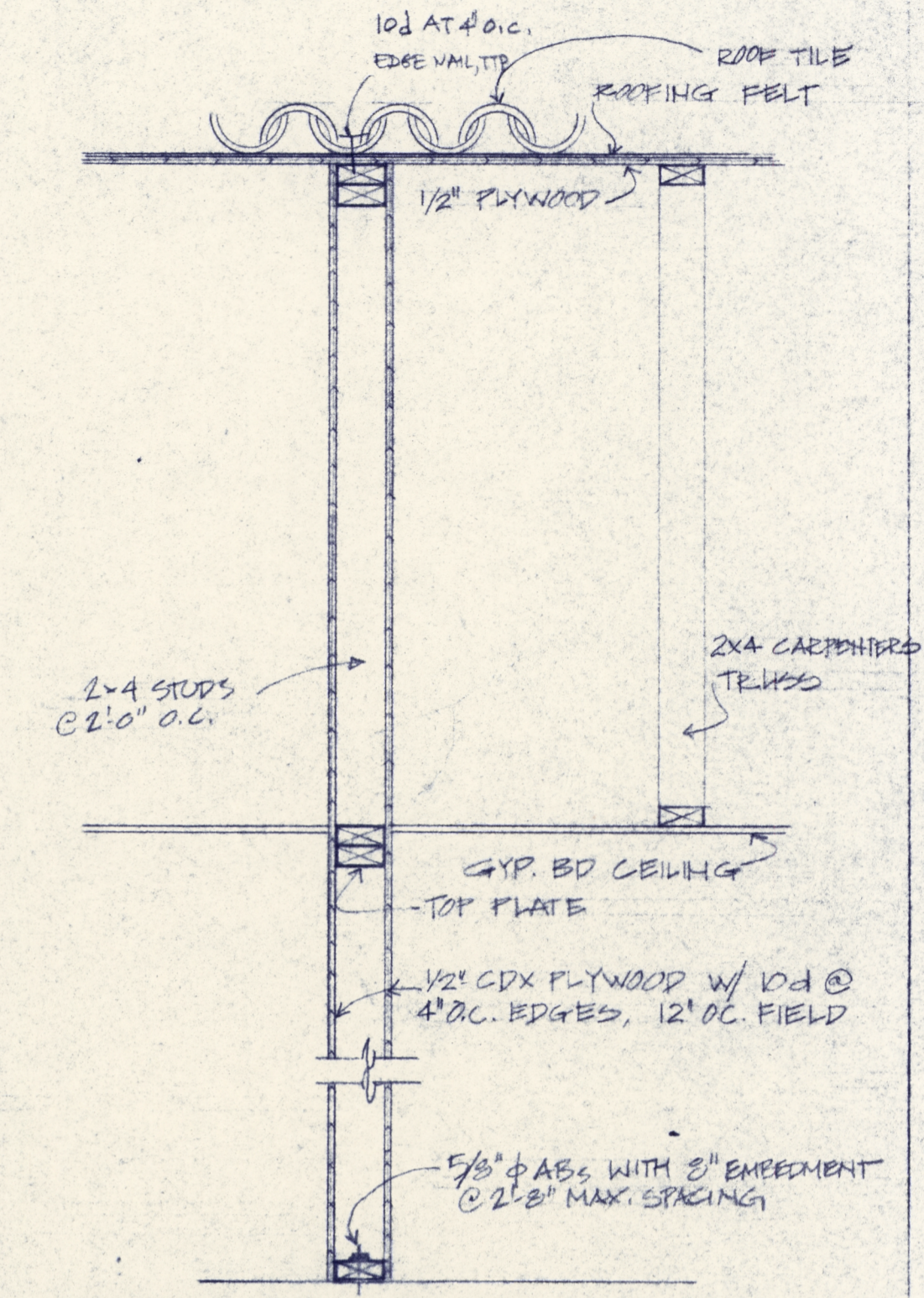
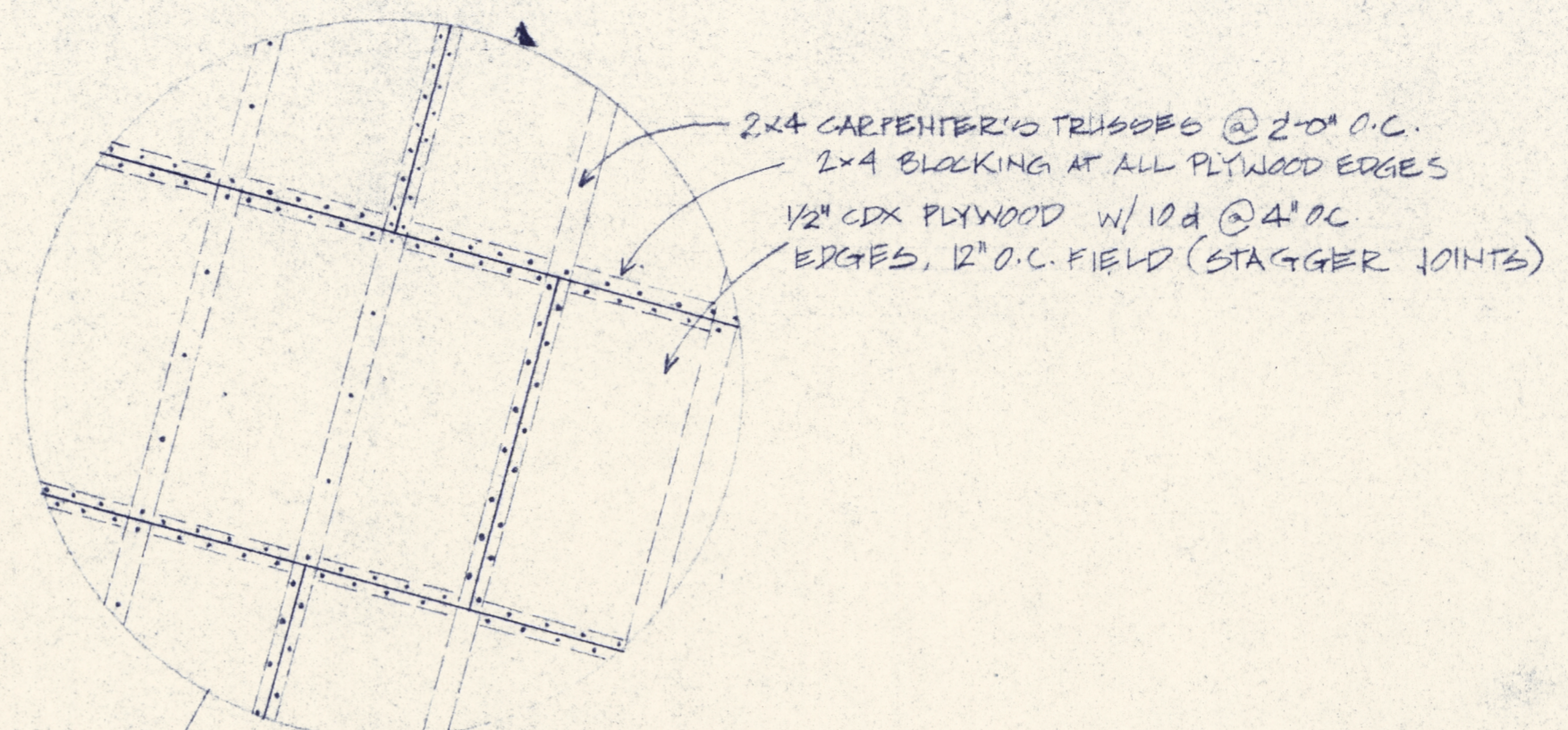
(B) R6  
FRAMING ELEVATION  
SEISMIC SEPARATION AT ARCADE PASSAGE  
SCALE 1/2" = 1'-0"  
(SOUTH ELEVATIONS OPPOSITE HAND)



(C) R6  
PLAN DETAIL: LATERAL RESTRAINT ON BEAM MOVEMENT  
SCALE 1" = 1'-0"



ROOF FRAMING PLAN  
SCALE 1/8" = 1'-0"



(D) R6  
SECTION THRU SHEAR WALL  
SCALE 1" = 1'-0"  
NOTE:  
P\_ DENOTES PANEL NUMBER

REVISIONS
1. REVISED AUG/27/87.



DATE: JULY 10, 1987