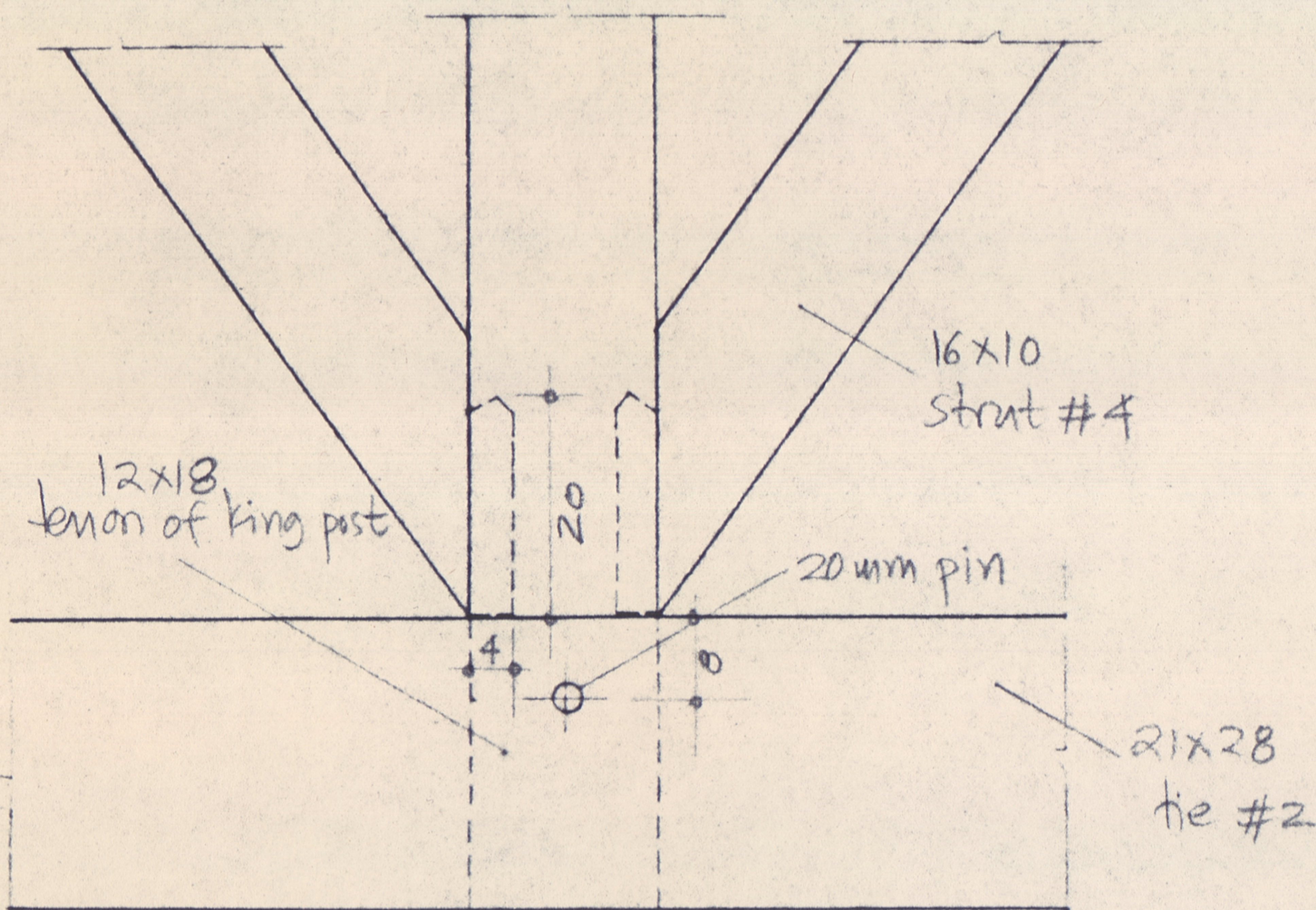
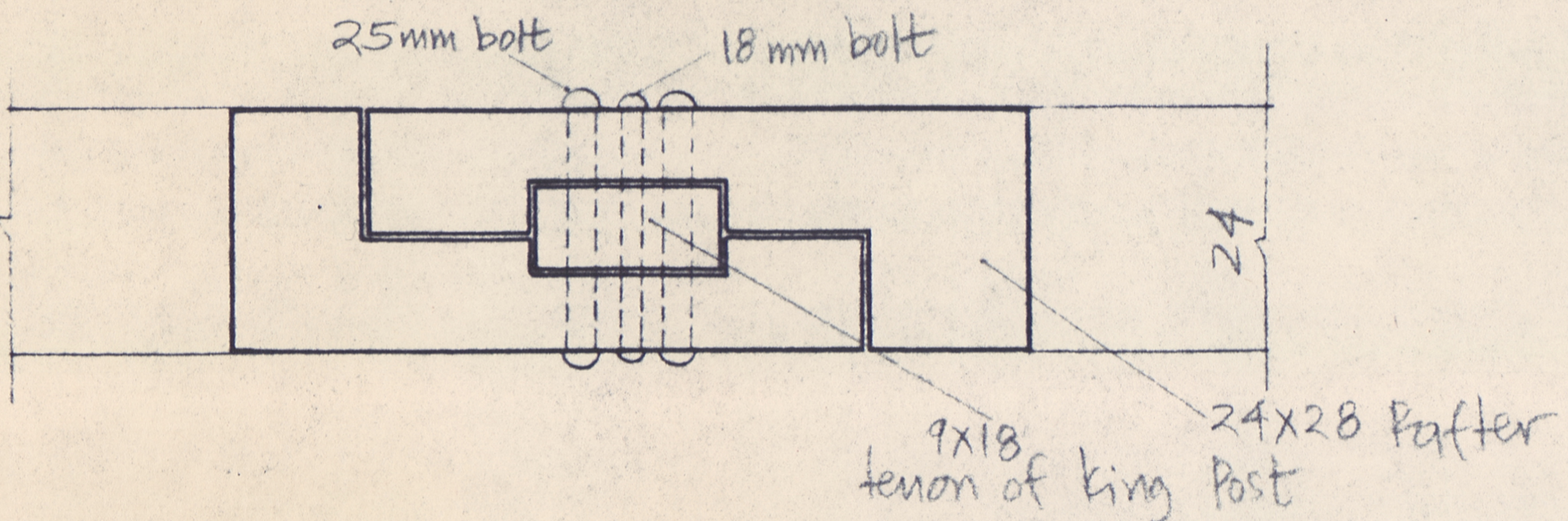


DETAIL I - FRONT ELEVATION
 APEX OF TRUSS 1:40, see page 33 eng. report, D₆ truss



DETAIL J : TIE #2 - KING POST - TWO STRUTS #4
 1:40 see page 34 engin. report



DETAIL I SECTION a-a : APEX OF TRUSS, 1:40