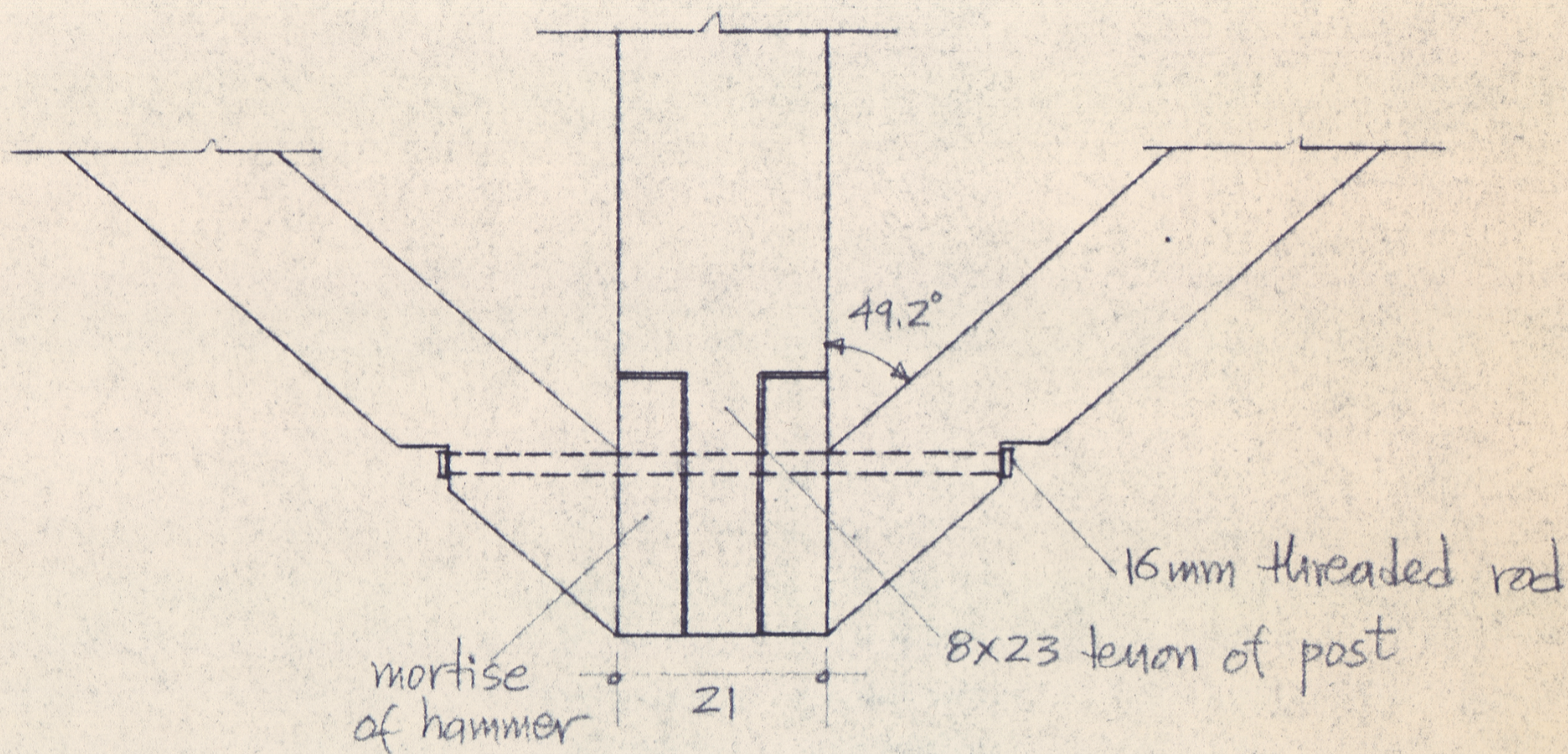


DETAIL B - FRONT ELEVATION :
 RAFTER - TIE #2 - POST - UPPER XBRACING CONNECTION



DETAIL C - FRONT ELEVATION :
 UPPER XBRACING - HAMMER - POST 1:10
 see D4 section C-C