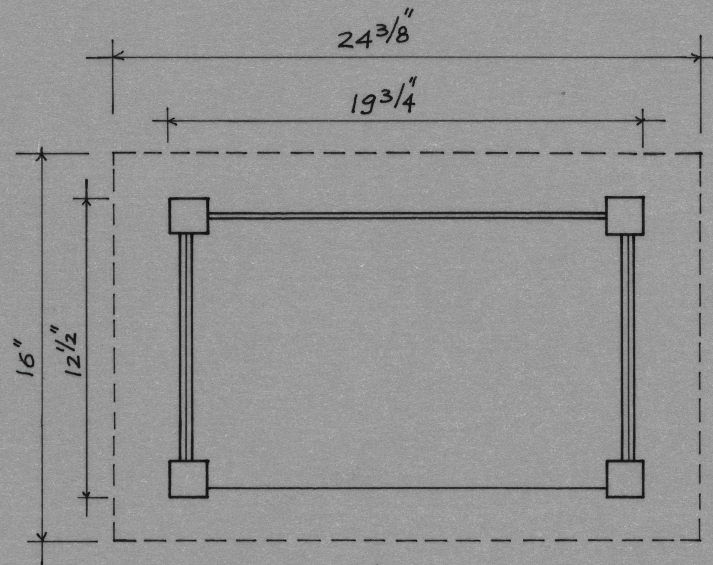
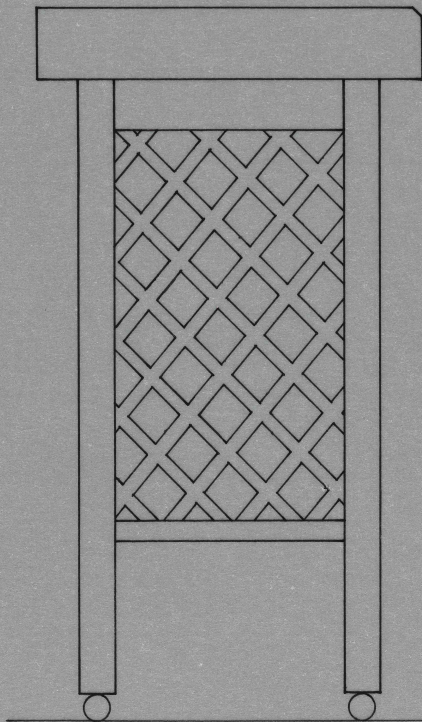


Front Elevation

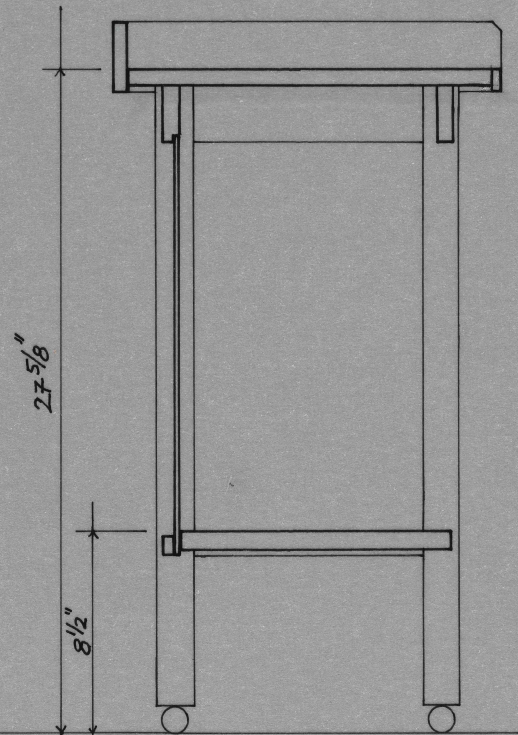


Plan

Scale $1' = 1\frac{1}{2}"$



Side Elevation



Cross Section