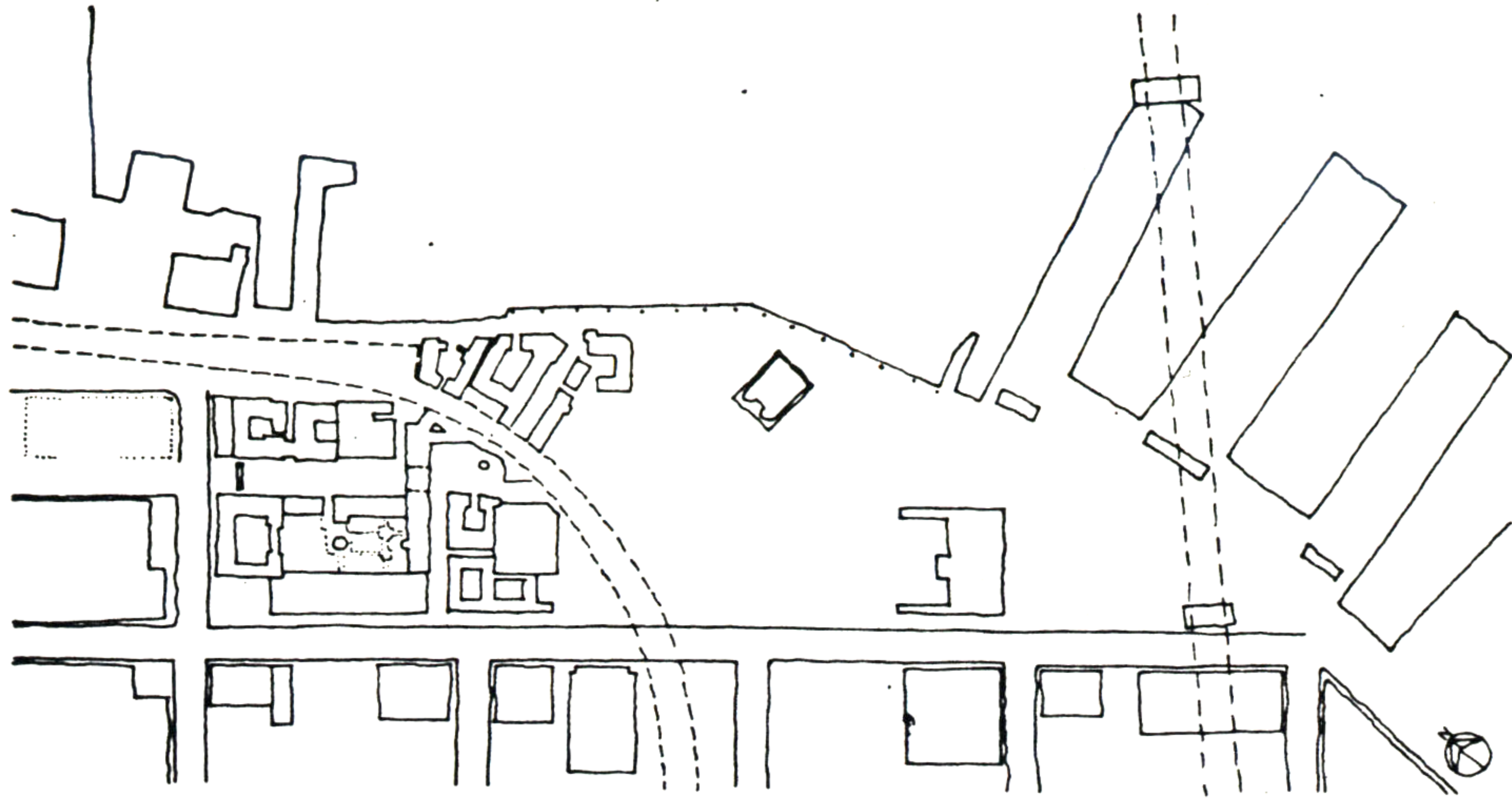


21. LIGHTS

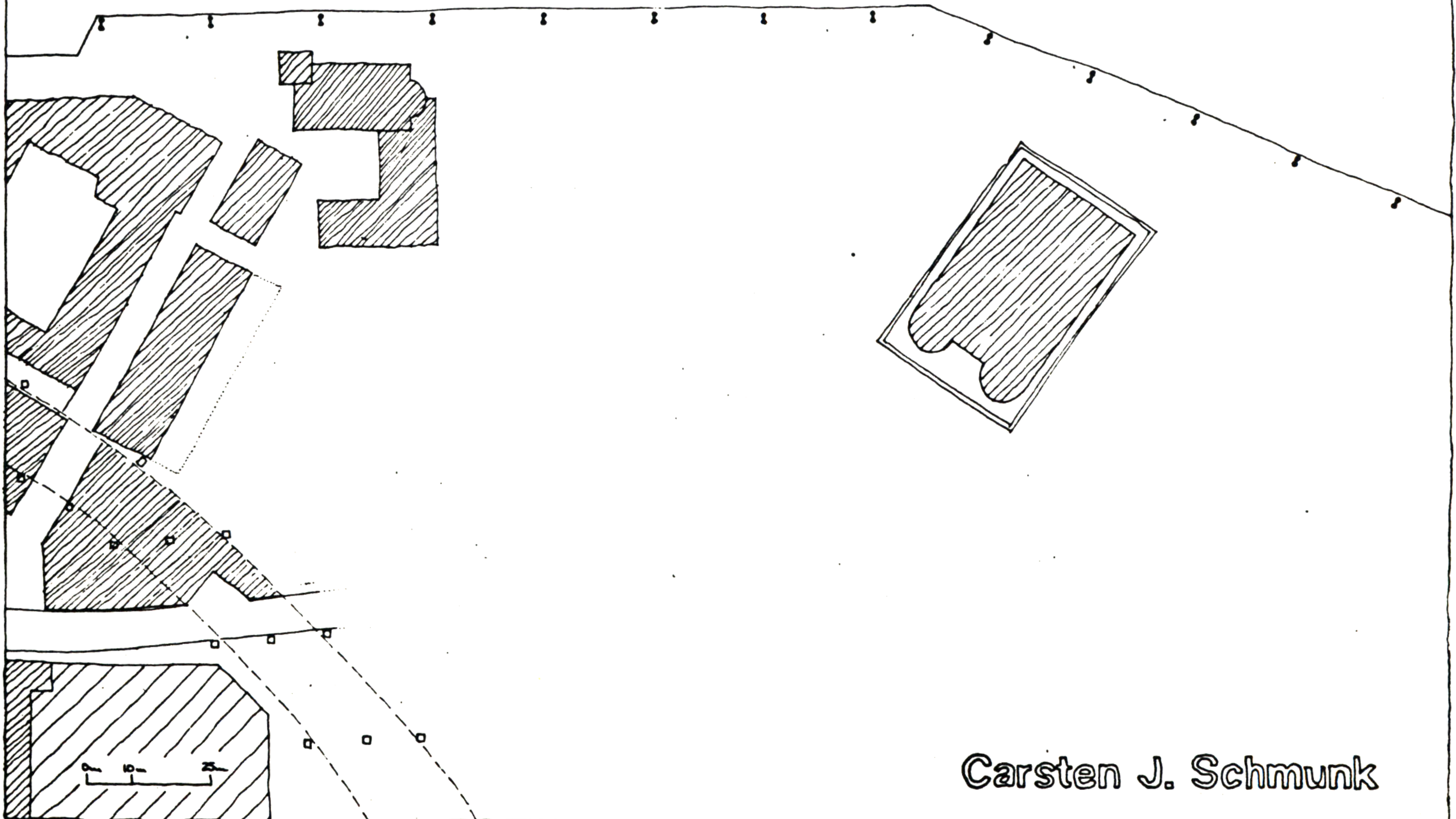


21 LIGHTS

A ROW OF STREET LANTERNS ALONG THE WATERFRONT SHALL CAST SOME LIGHT ON THE WALK ALONG THE WATER'S EDGE.

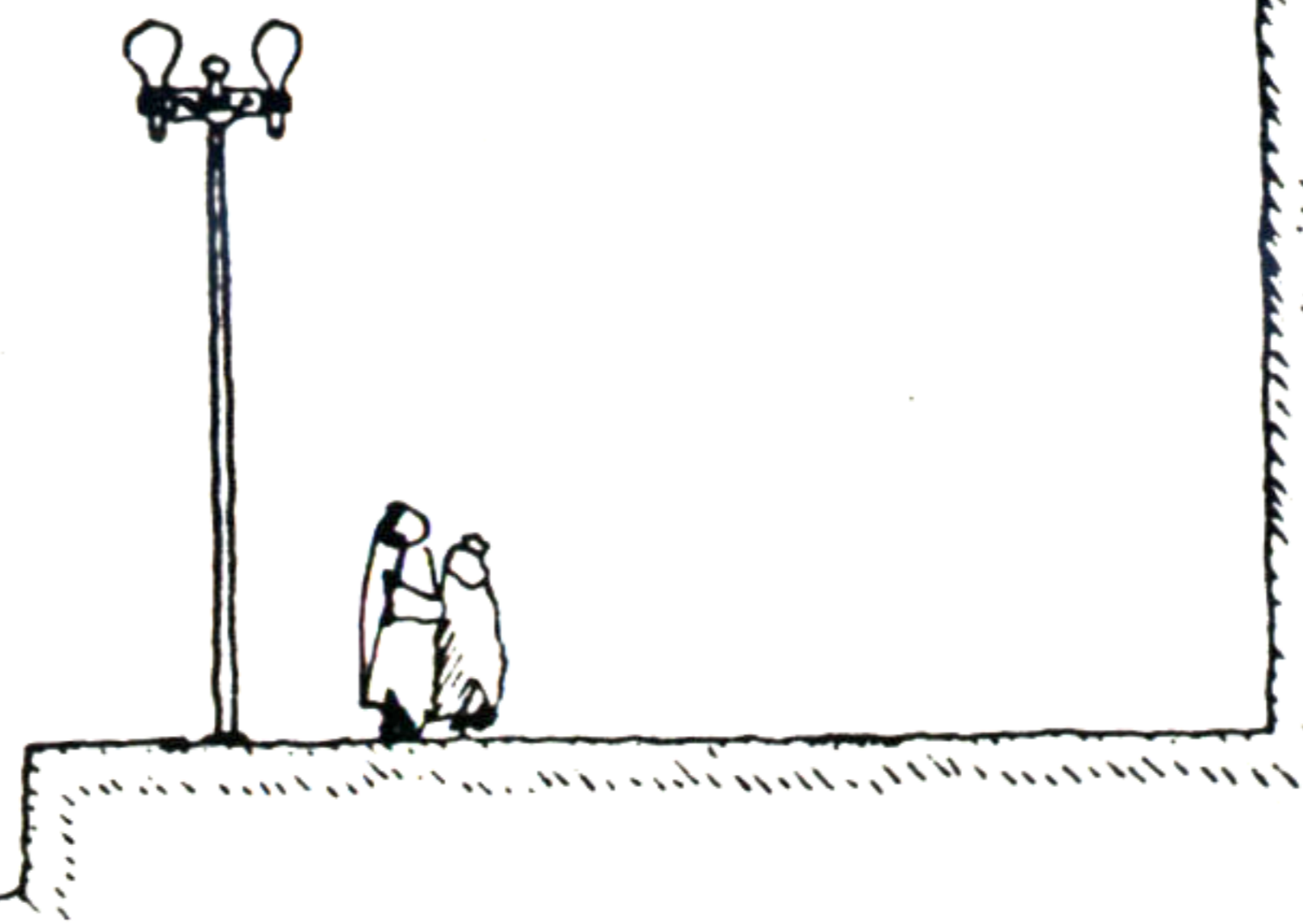
THE DESIGN IS INSPIRED BY EXISTING, TRADITIONAL SAN FRANCISCO STREET LIGHTS, SOME OF WHICH ARE ALREADY PRESENT ON THE WATERFRONT.

THEY SHALL OCCUR AT REGULAR INTERVALS STARTING FROM THE RECESS NEXT TO THE CHURCH, AND RUNNING ALL THE WAY SOUTH TO THE FIRE BOAT PIER.



Carsten J. Schmunk

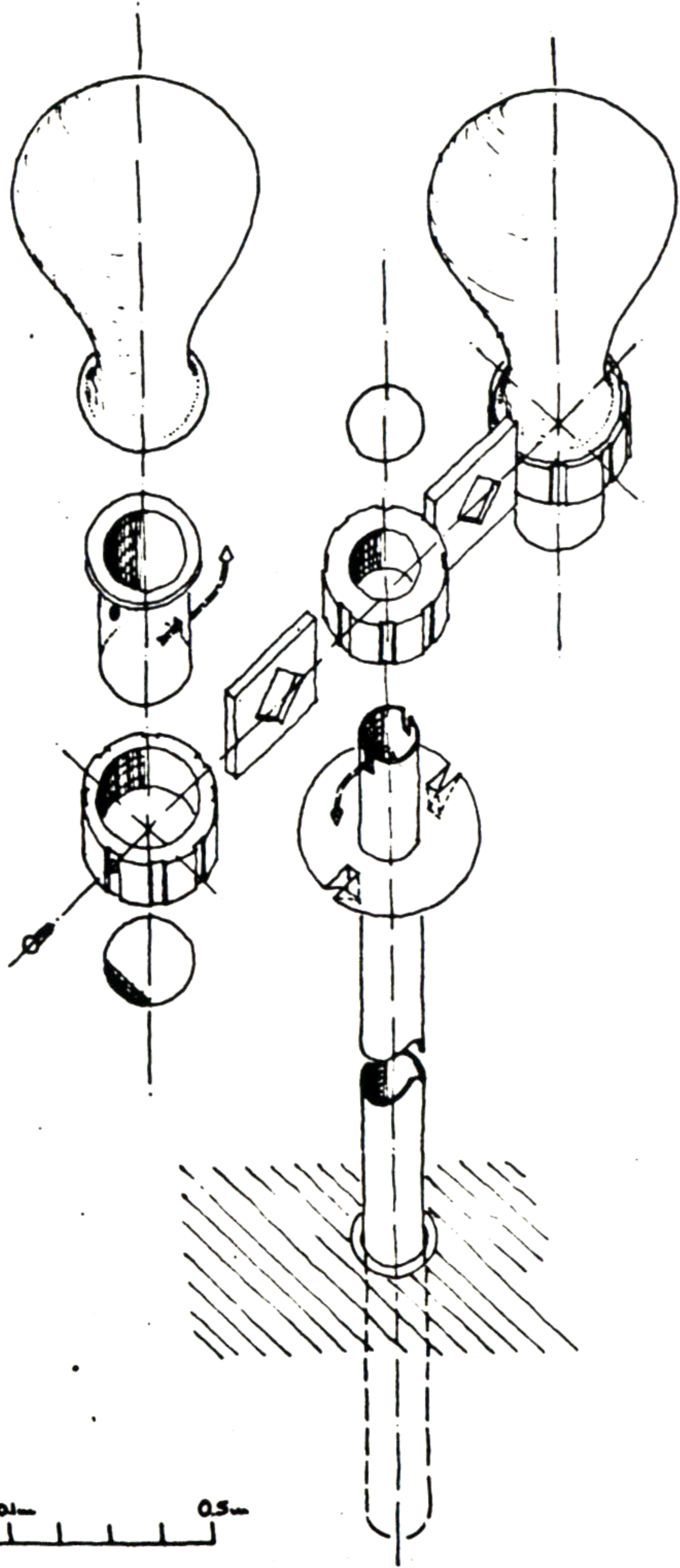
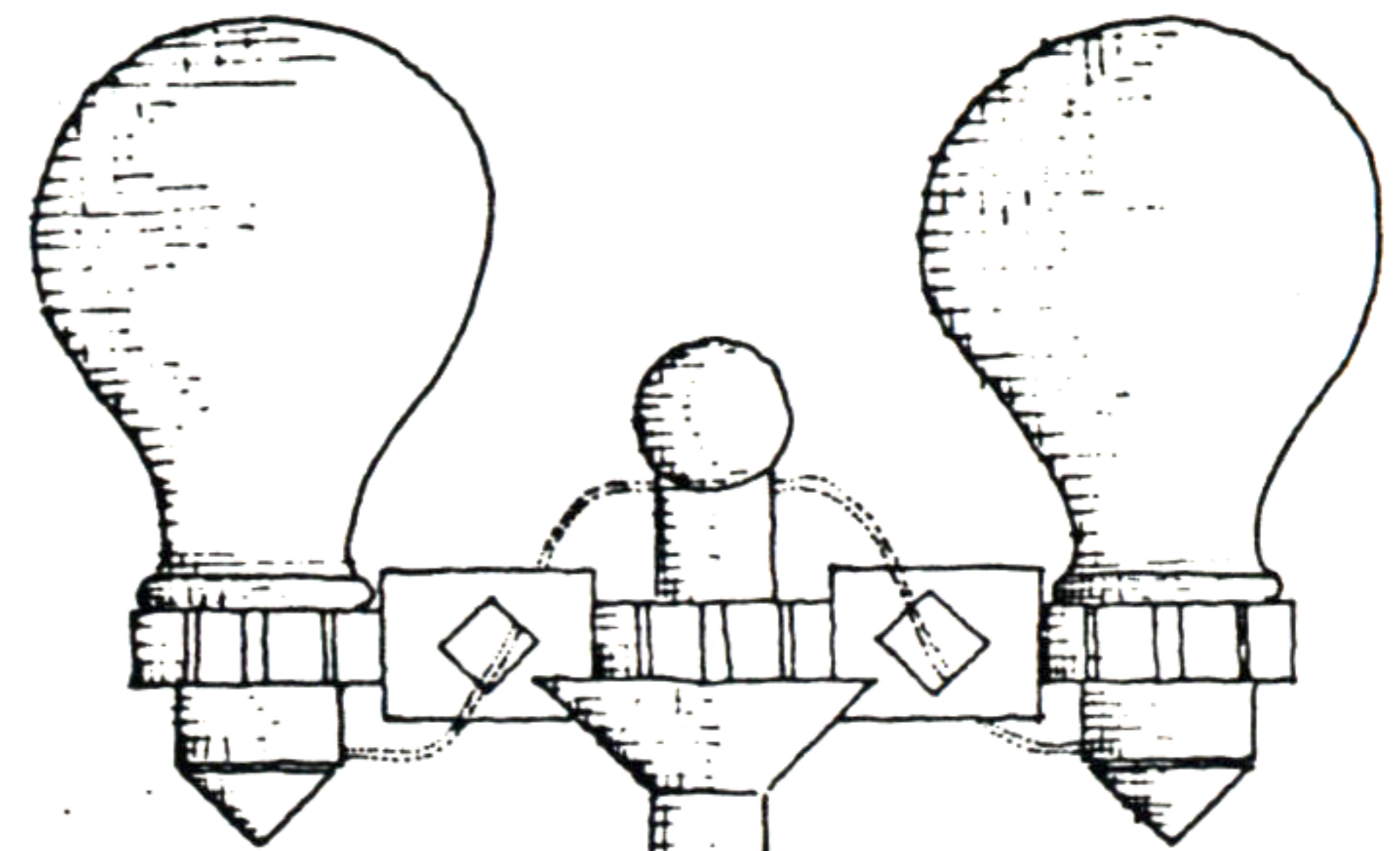
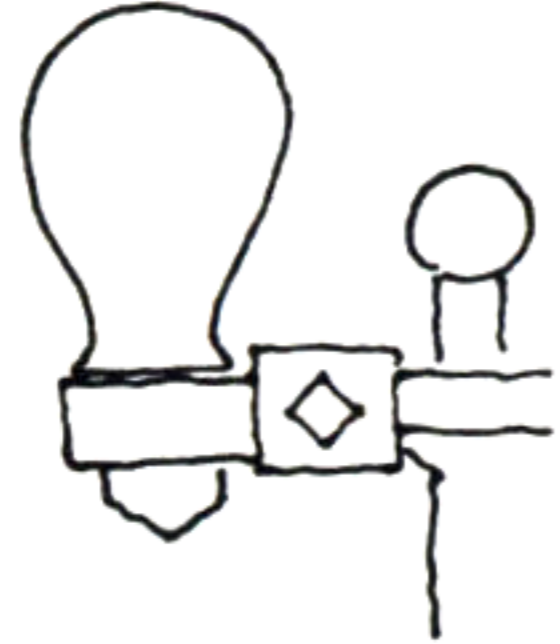
21. LIGHTS



torch



bulb



0m 0.1m 0.5m

Carsten J. Schmunk