

CONCRETE IS AN AMORPHOUS MATERIAL WITH SPECIFIC PROPERTIES

RATHER THAN ELABORATING A SYSTEM OF CONCRETE ELEMENTS WE SHOULD WORK OUT A SYSTEM FOR THE FORMWORK.

PREFABRICATION OF FORMWORK RATHER THAN PREFABRICATION OF ELEMENT.

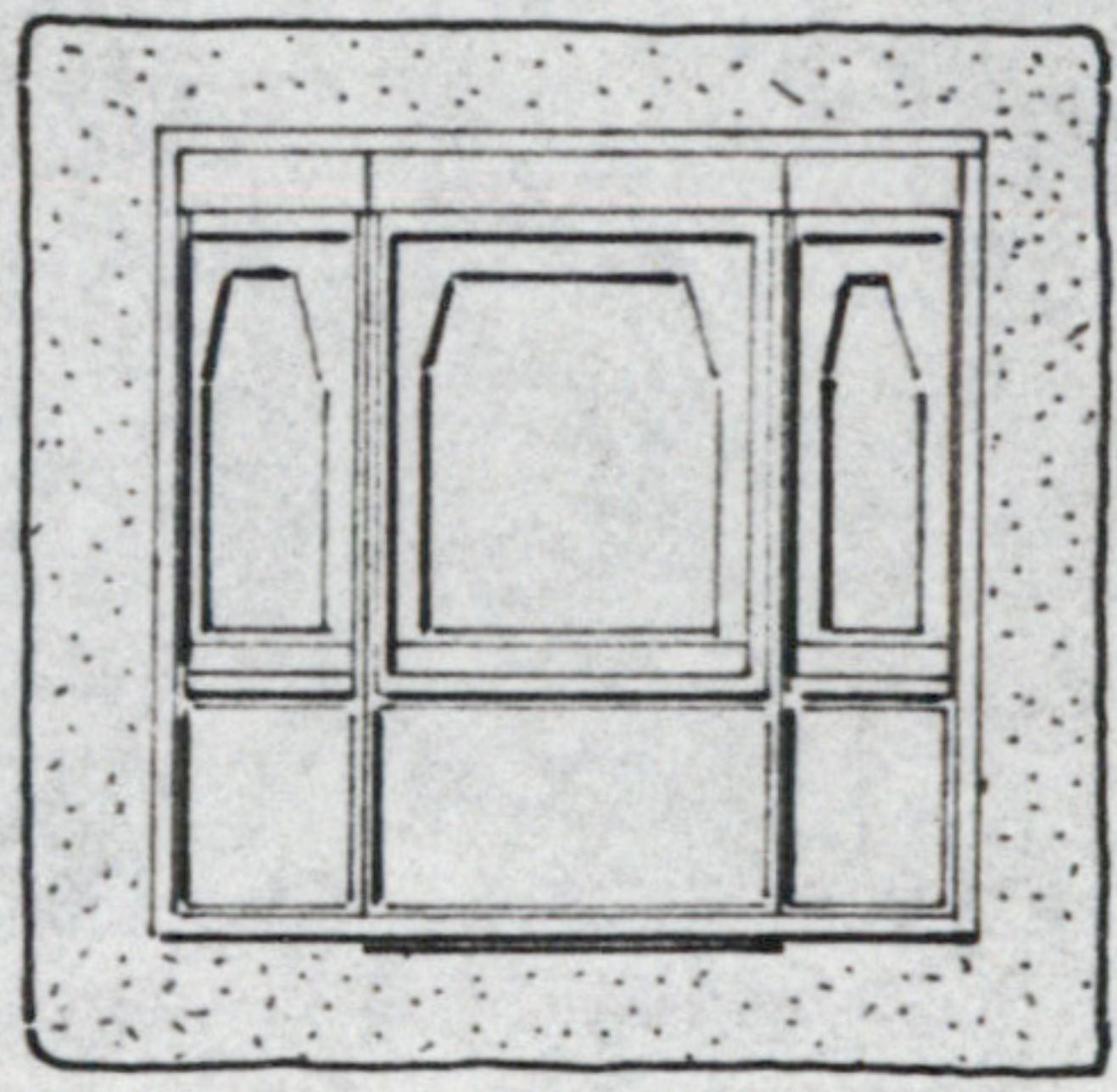
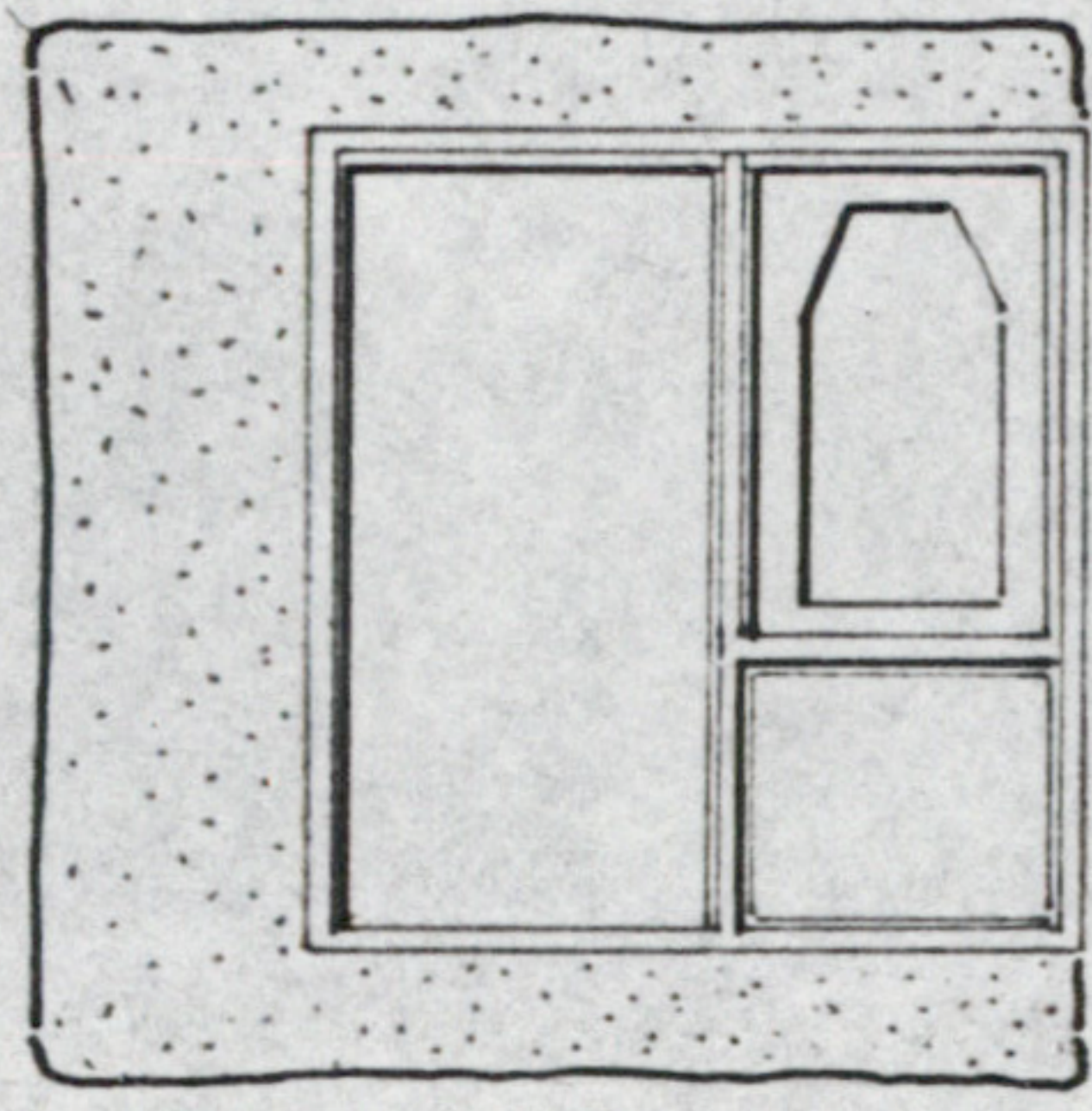
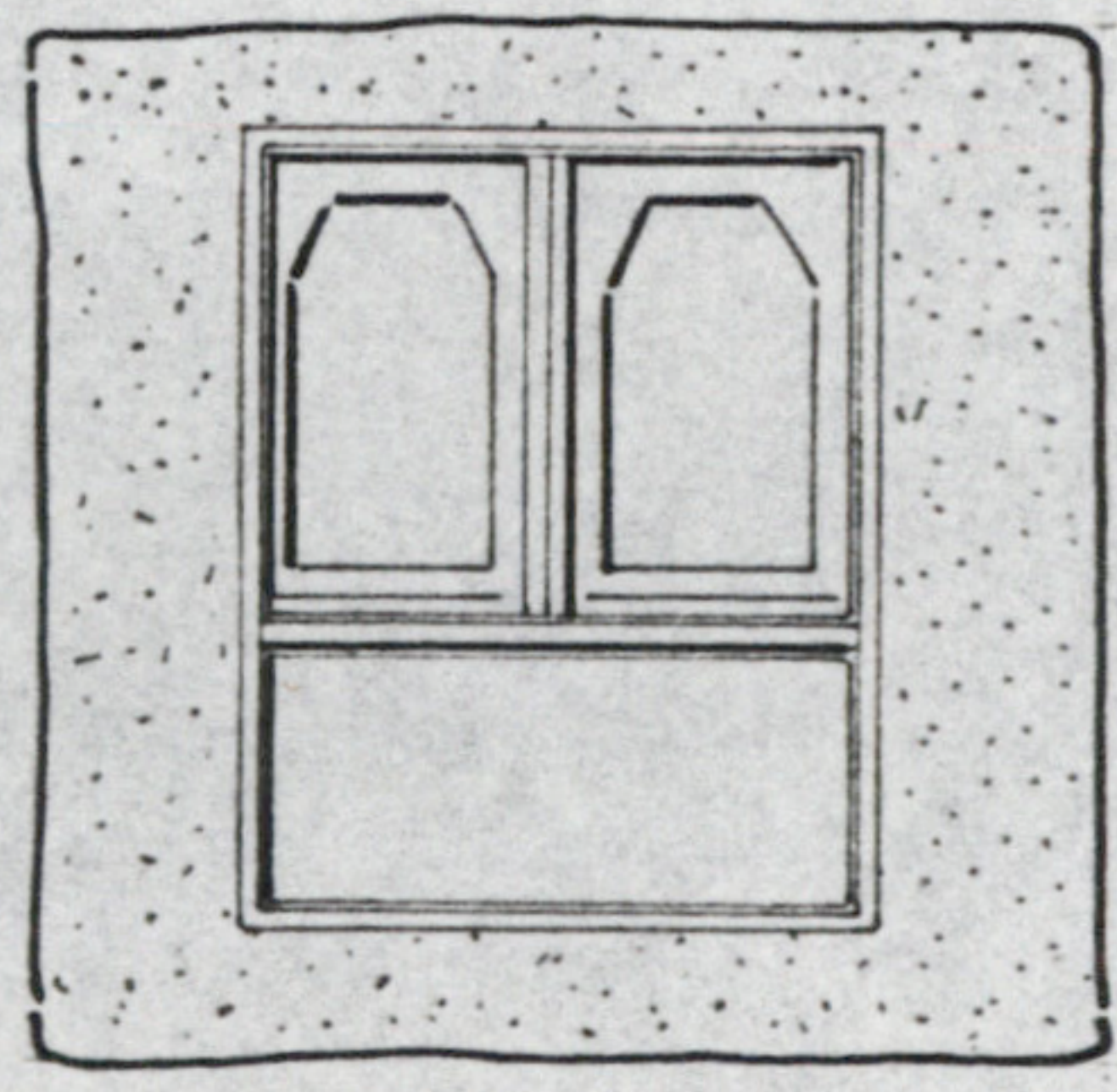
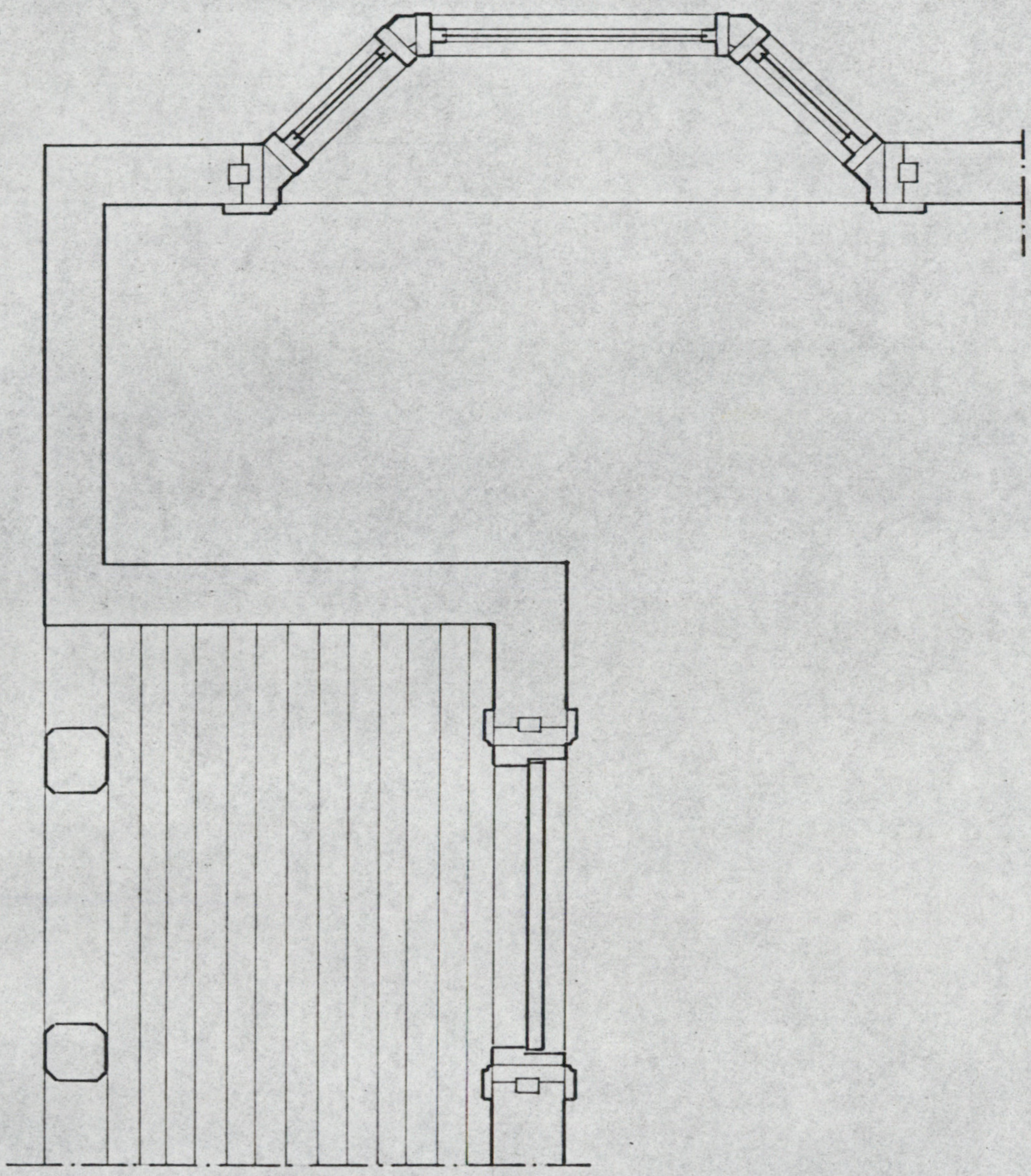
FORMWORK SYSTEM COMPOSED OF 3 SETS OF ELEMENTS

1. BASIC RETAINING ELEMENTS
RE-USABLE (WALLS, COLUMNS)
2. SPECIFIC TUNNEL ELEMENTS MADE
'AD HOC' (OPENINGS)
3. LOOSE ELEMENTS
(ORNAMENTS)

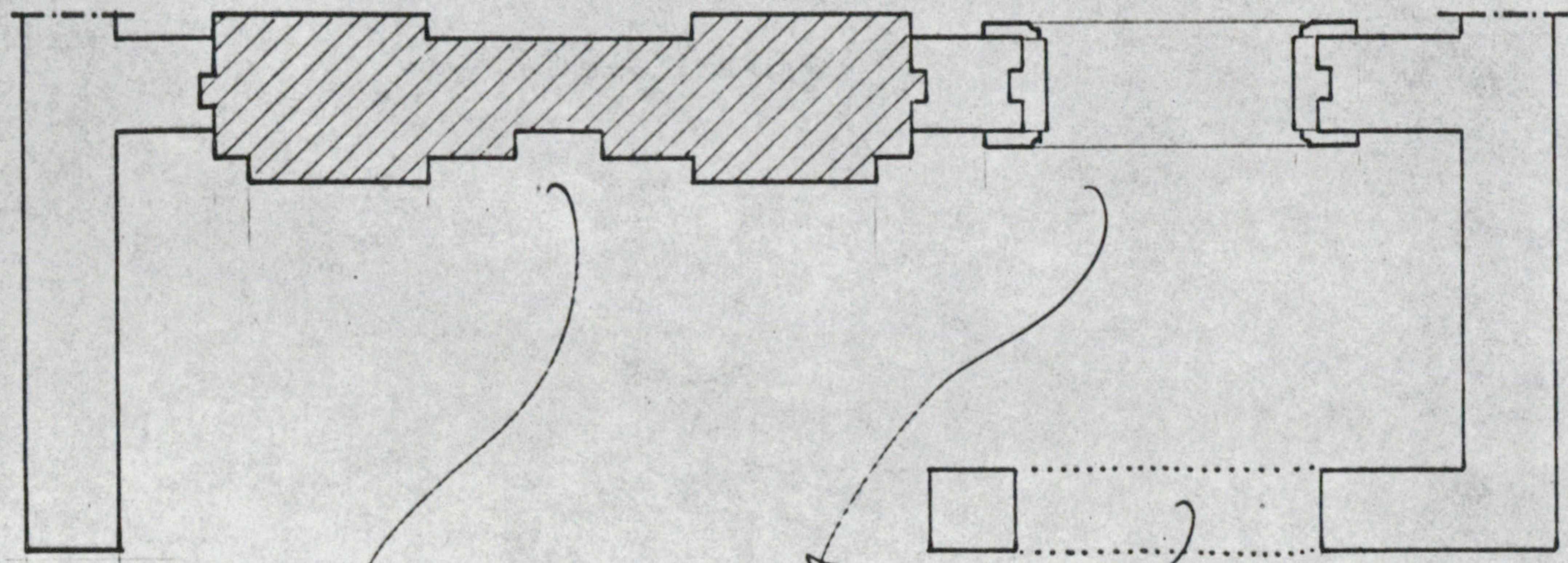
Hubert FROYEN

NON-REVERSIBLE
CONCRETE

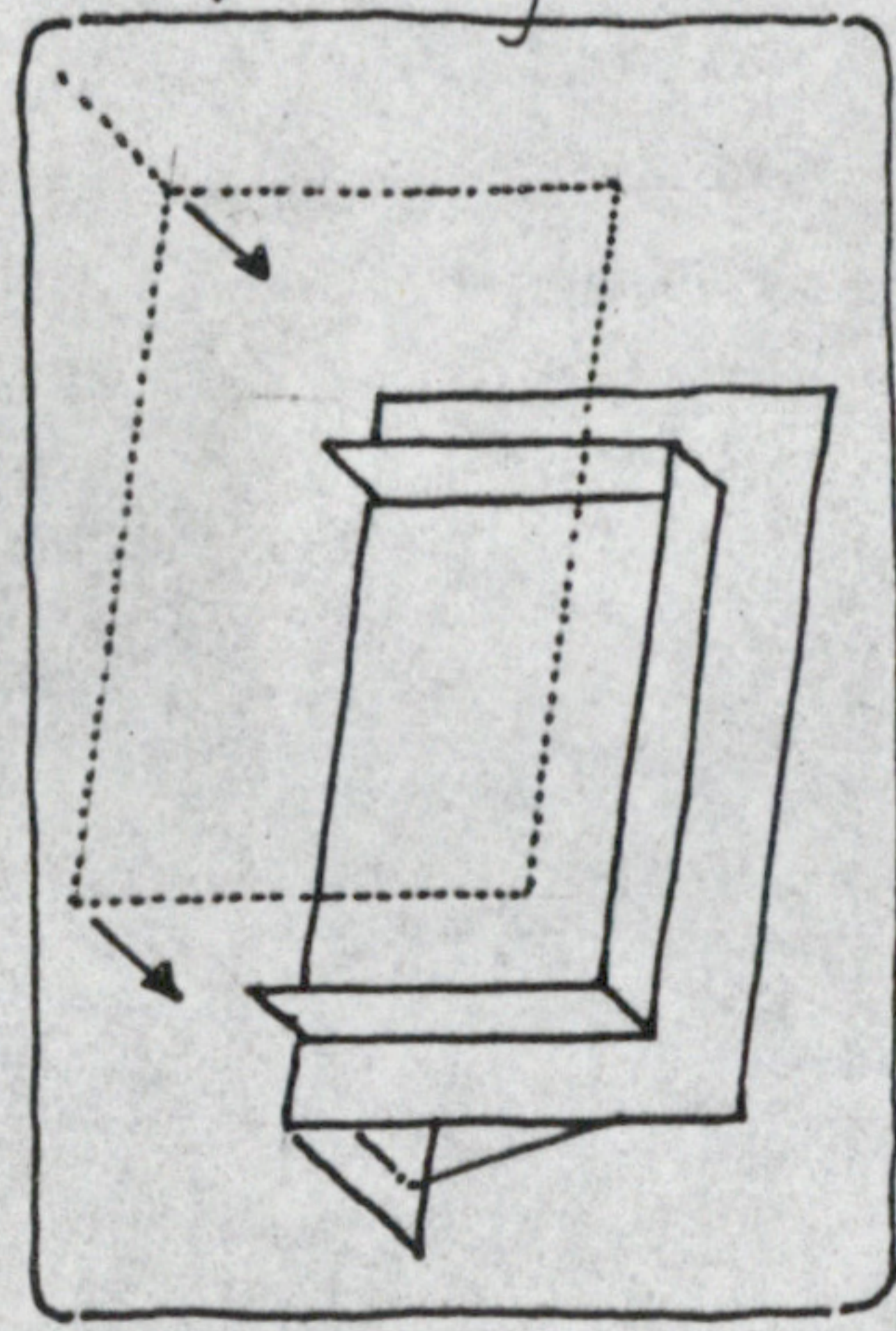
• OUTER WALLS WINDOWS & DOORS •



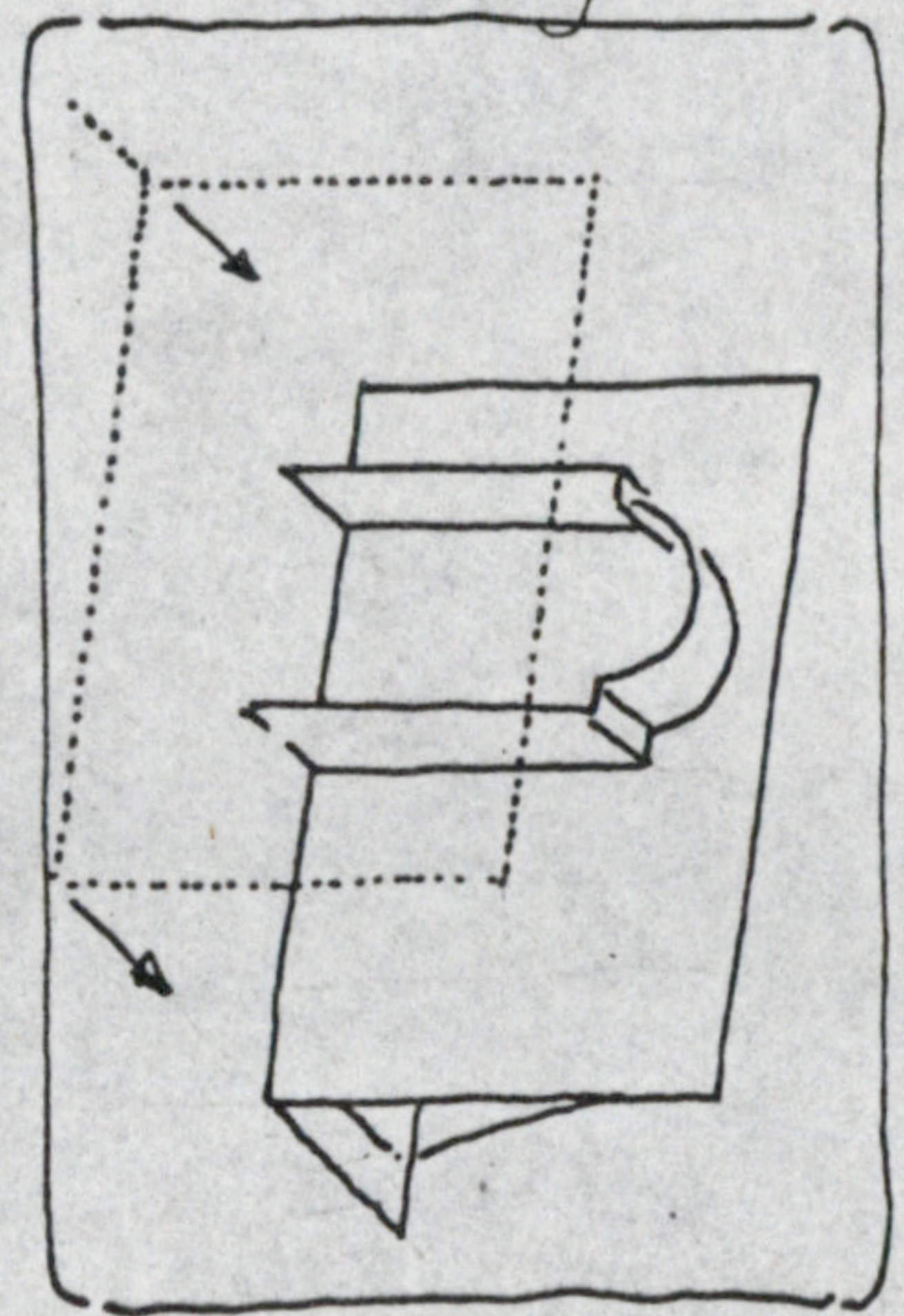
INNER WALLS



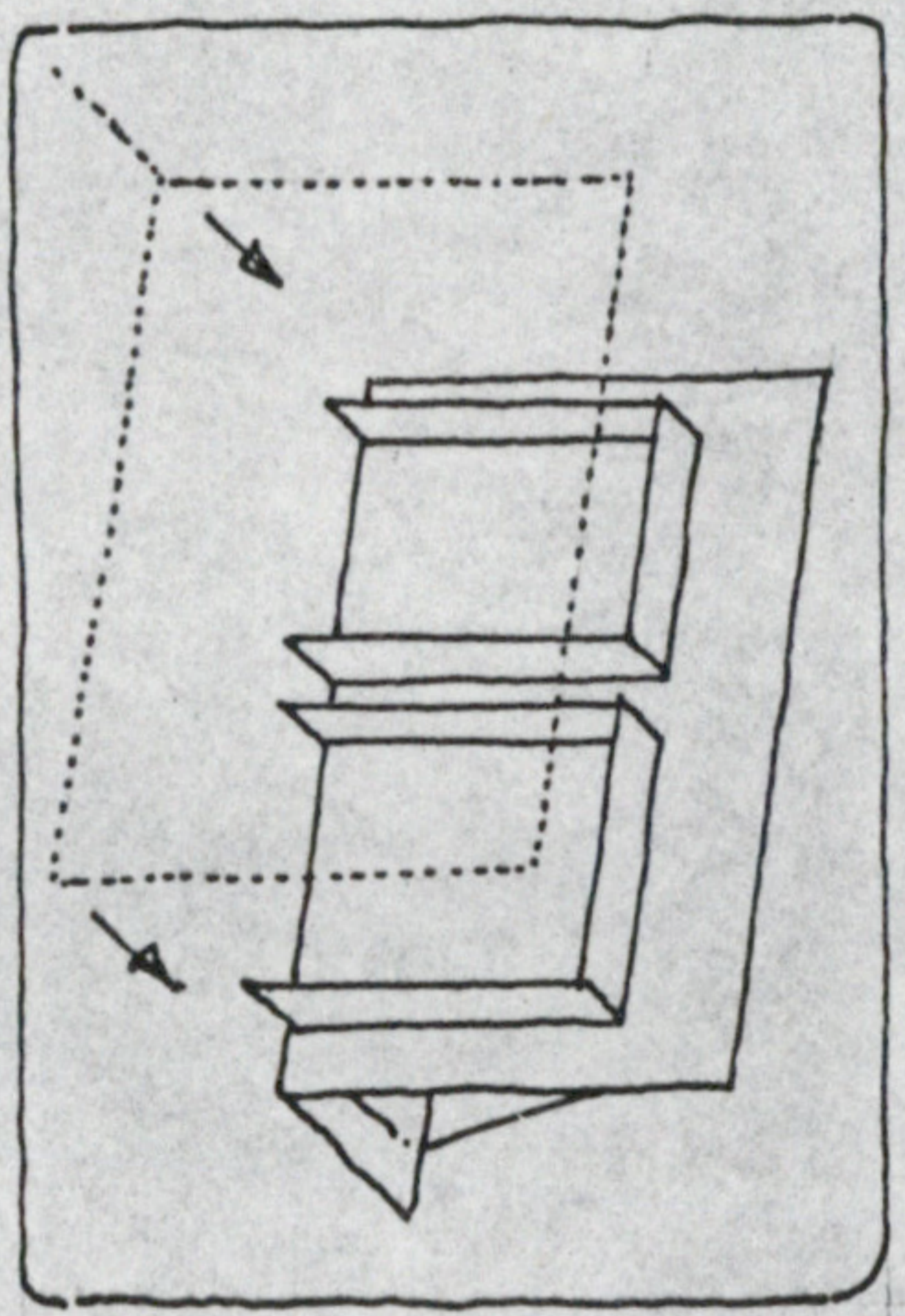
Opening



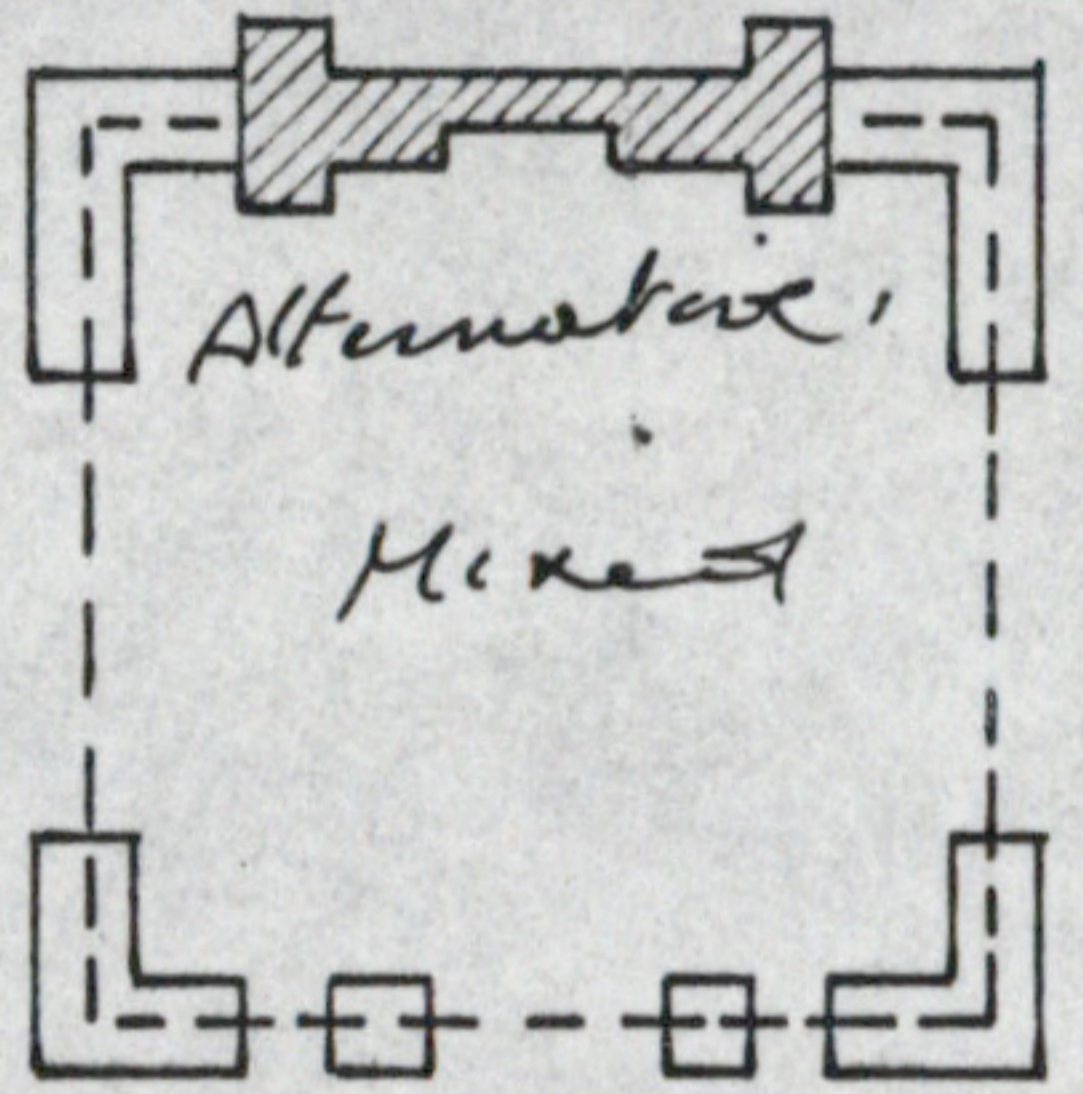
Doorway's



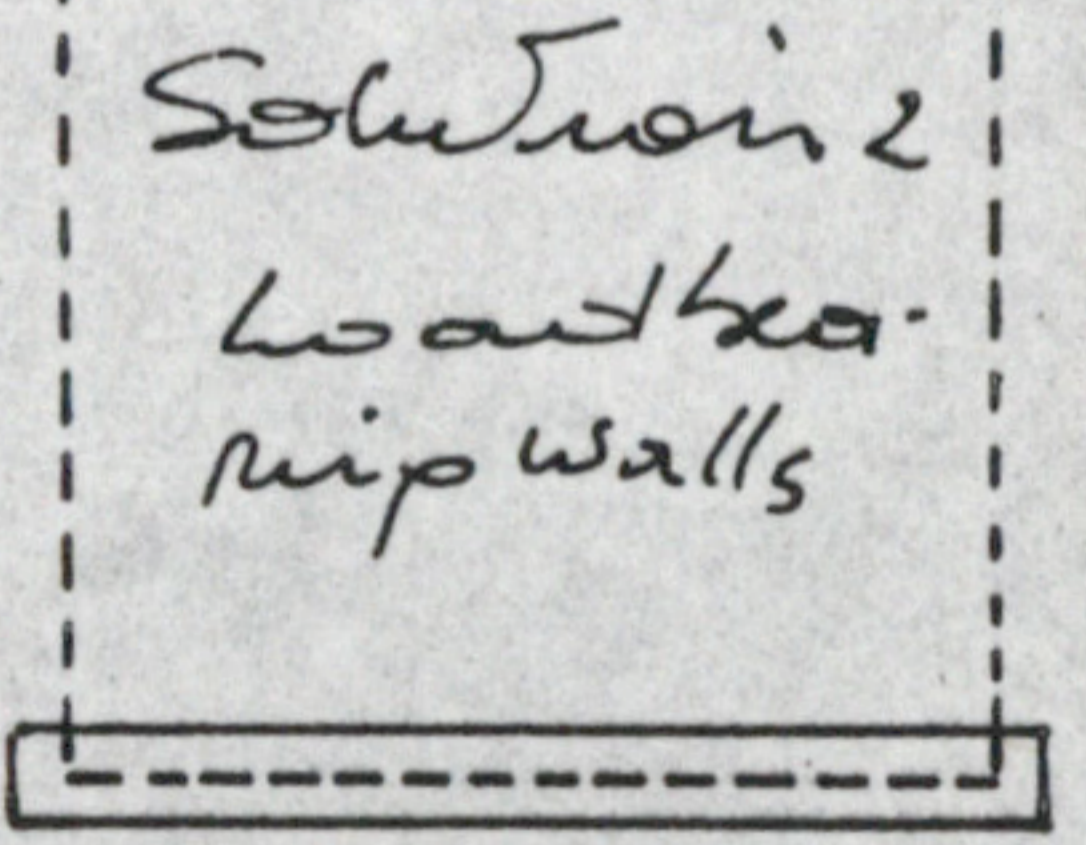
Columns



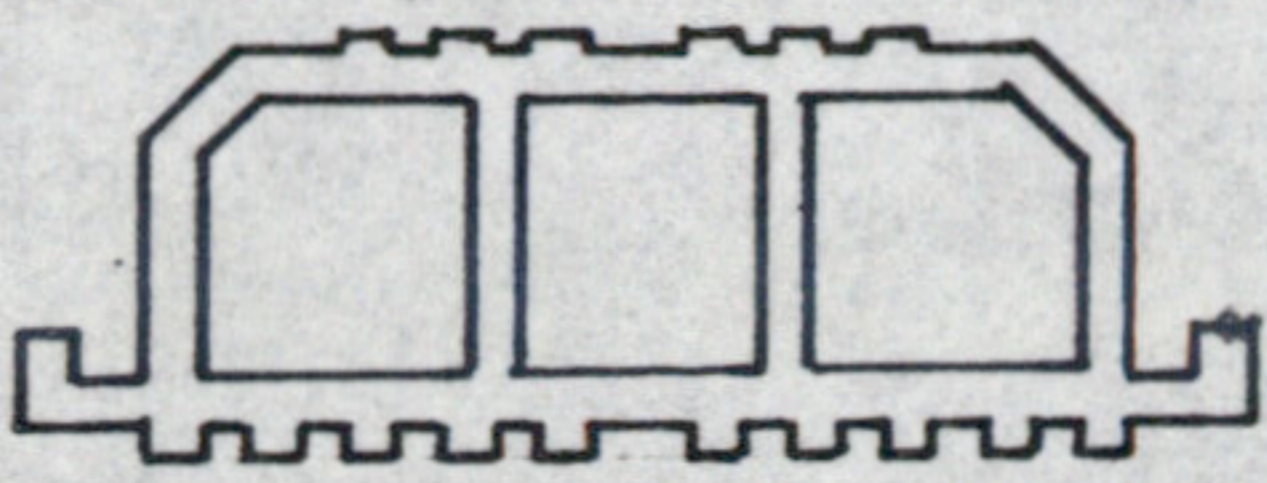
Inner Wall:
Concrete &
Bricks



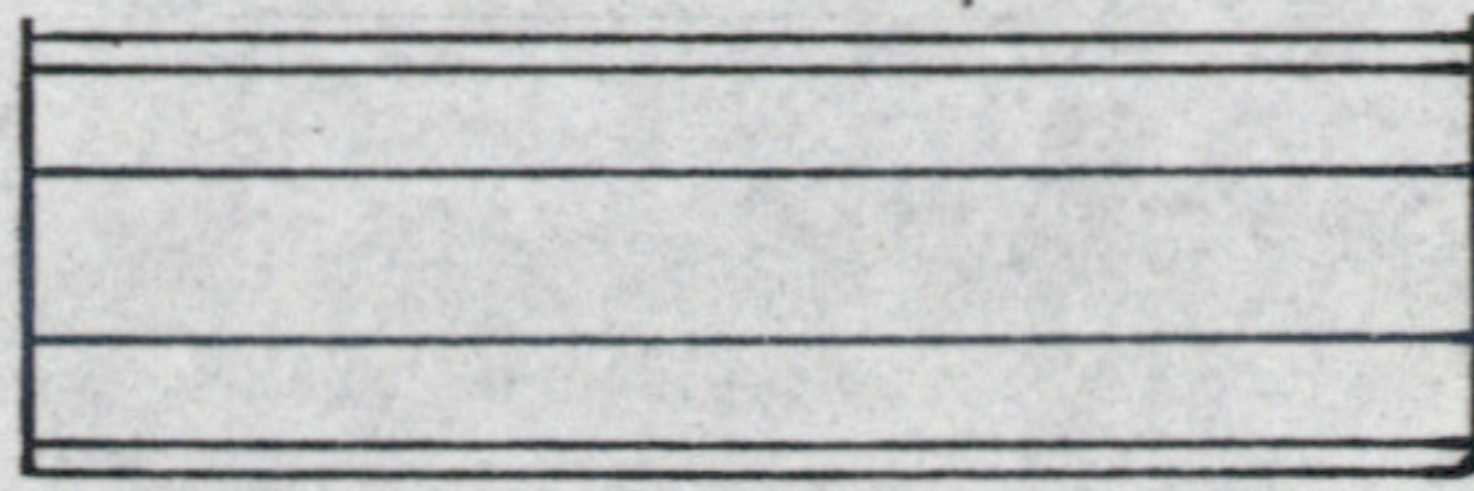
Outer Walls
Concrete &
Wood, glass



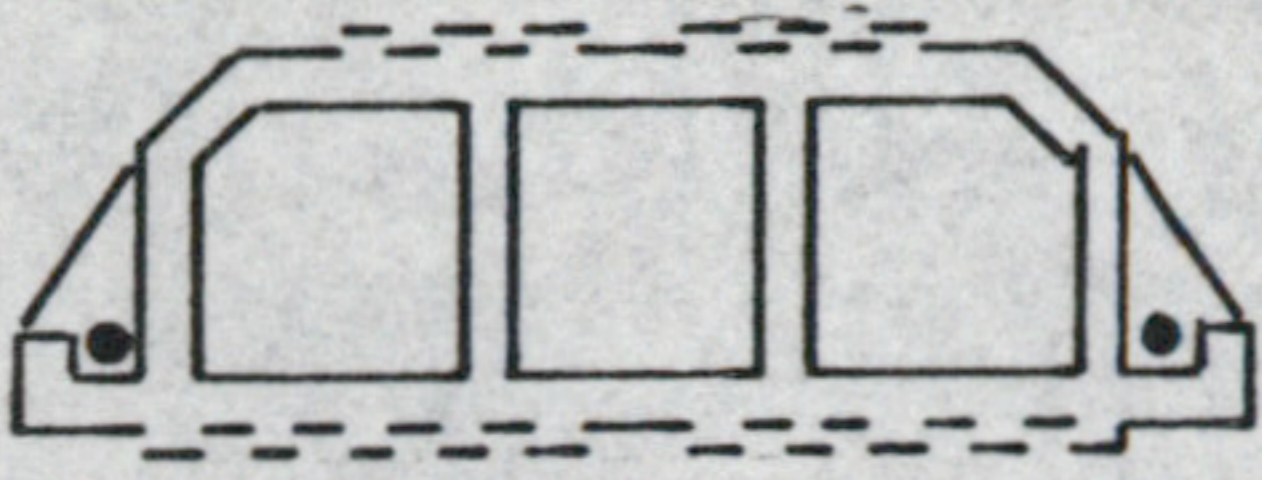
Floors & vaults



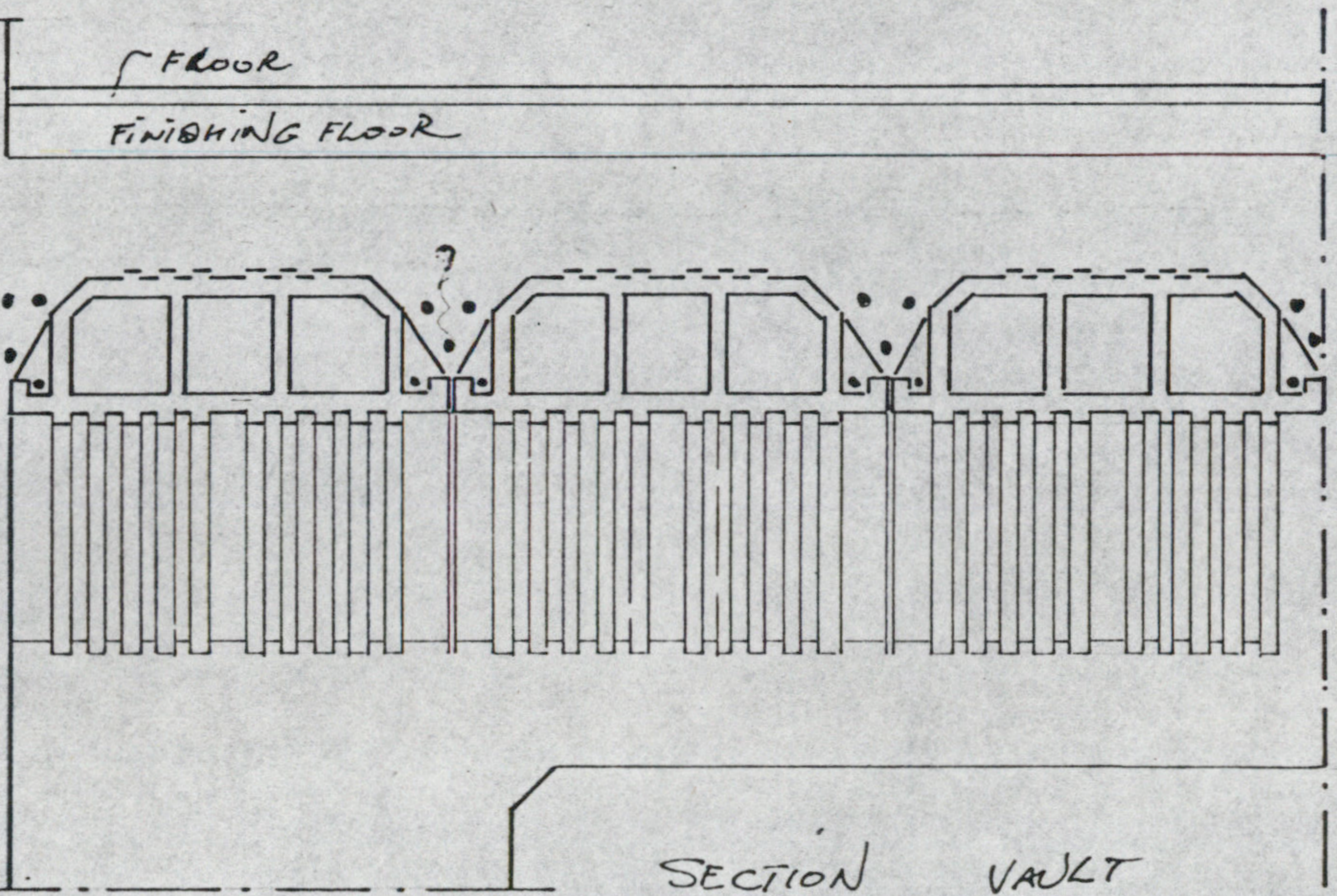
25 cm



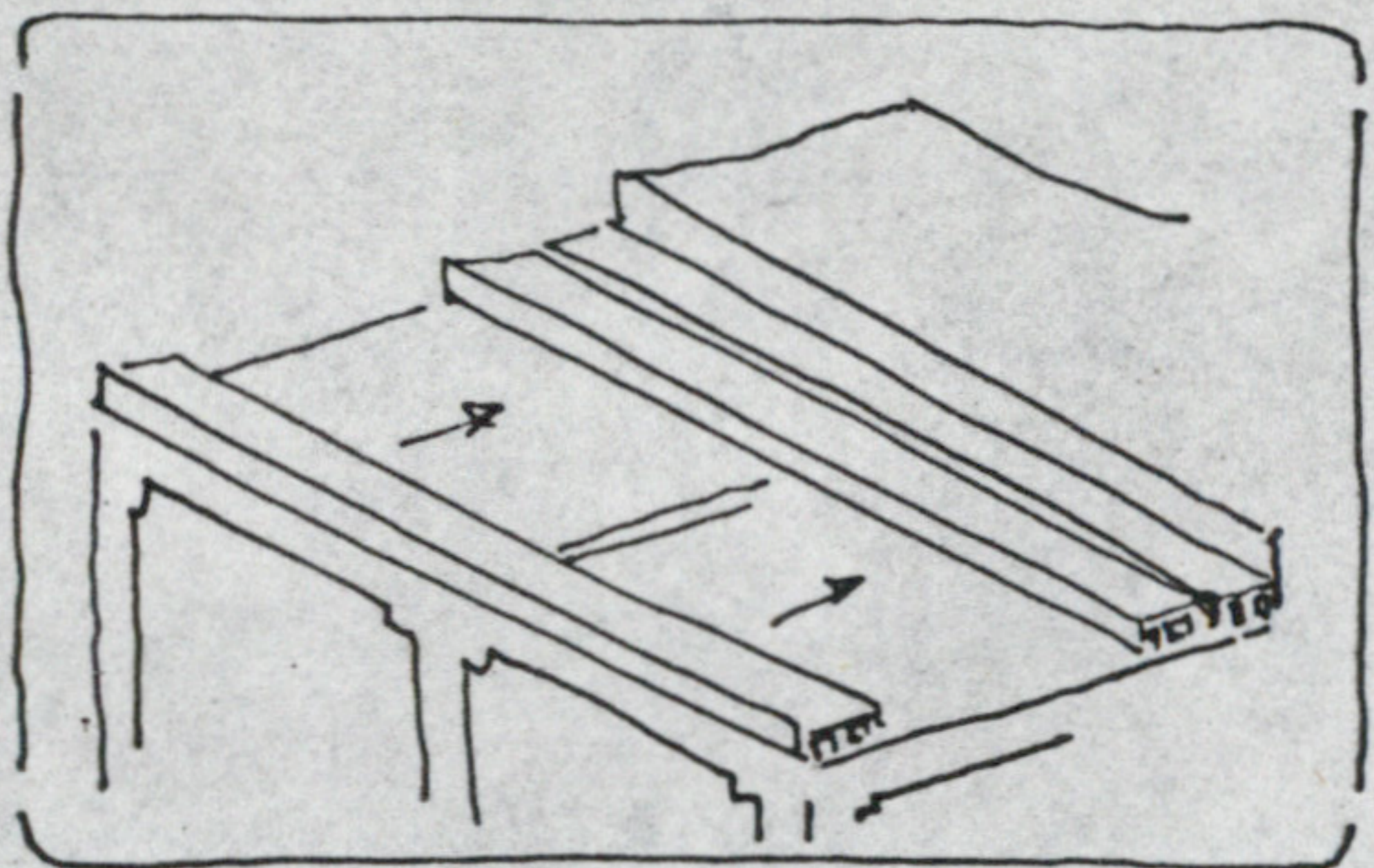
30 cm



STRUCTURAL CLAY TILES:
ASSEMBLED AND TIED TOGETHER
WITH CEMENT & STEEL



FLAT FLOORS:
STRUCTURAL CLAY TI-
LES ASSEMBLED ON
FLAT SURFACE I.E.
GROUND FLOOR



VAULTS:
STRUCTURAL CLAY TI-
LES ASSEMBLED ON
ARCH FORM

