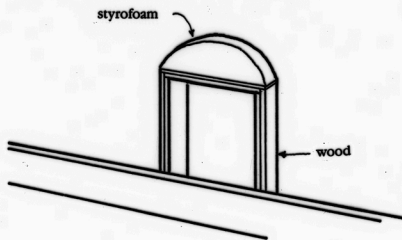
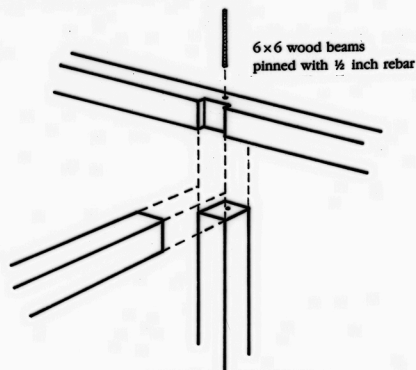


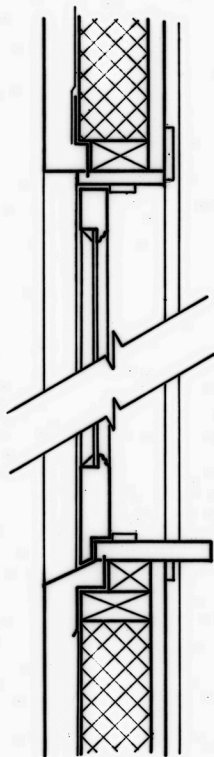
CORBEL cut from 6x6 fir



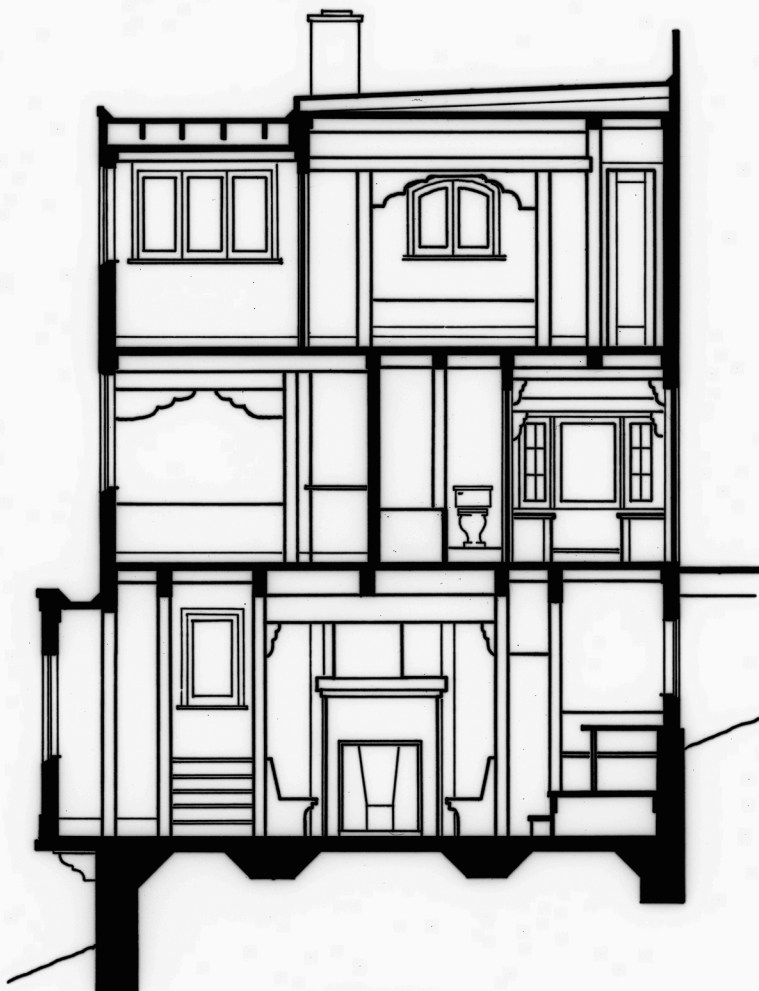
BEDROOM WINDOW FORM



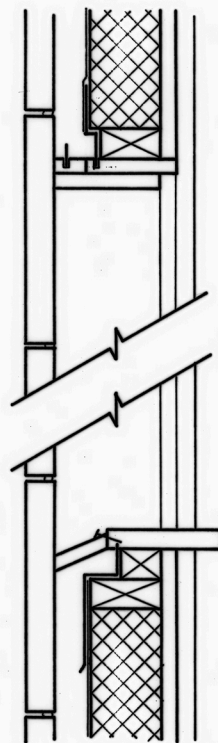
FRAMING CONNECTION



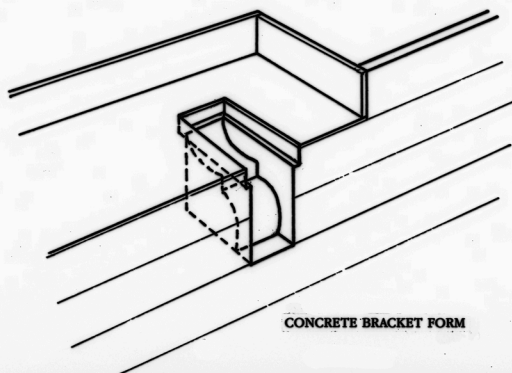
WINDOW SECTION



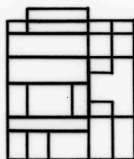
SECTION



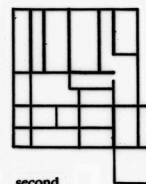
WINDOW FORMS



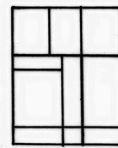
CONCRETE BRACKET FORM



first



second



third

FRAMING PLANS