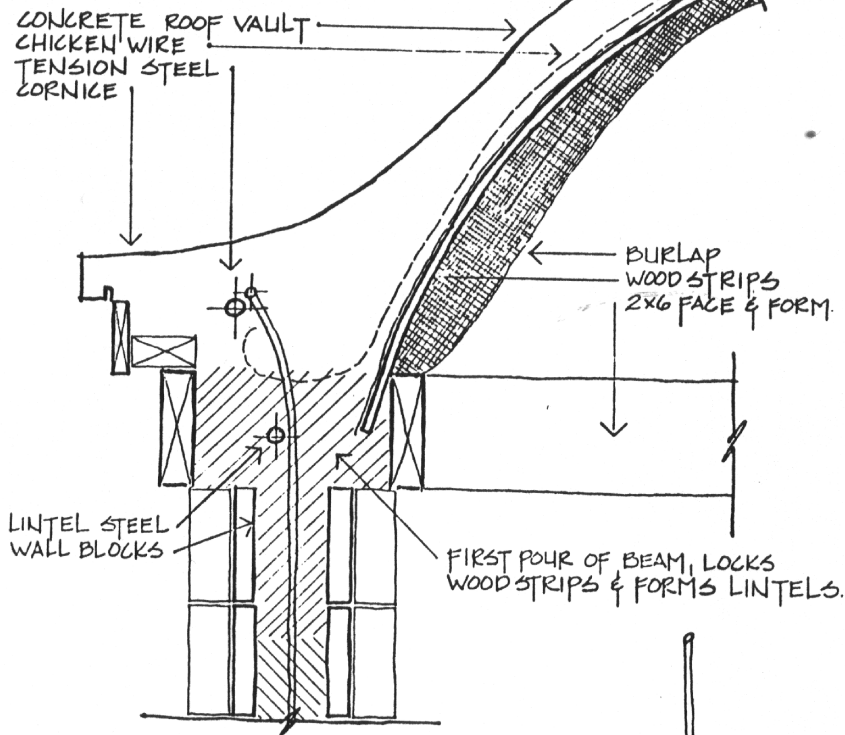


PERIMETER BEAM



FORMING SEQUENCE:
2x6 LEVELED & HELD IN PLACE
BY FLAT STEEL "O" PIECE.
1x4 FORMS BOTTOM OF BEAM
AND IS STRIPPED AFTER POUR.

